



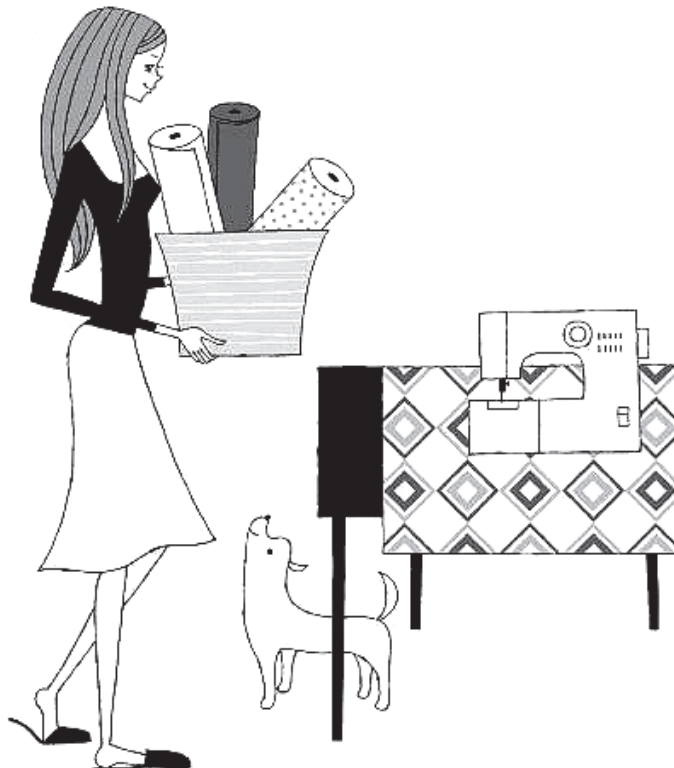
# TOYOTA

## SP100/SP1PF Series

# HOME-USE SEWING MACHINE

# INSTRUCTION MANUAL

- Read this manual carefully before use and always follow the instructions.
- Keep the manual in a convenient place for easy reference.
- If you give the sewing machine to someone else, also give them this instruction manual.



---

# Contents

---

## 1 Before use (Be sure to read this section before use)

- Important safety instructions..... 3
- How to change the power plug ..... 5
- Part names ..... 6
- Part names and their functions ..... 8
- Quick adviser ..... 10
- How to operate foot controller..... 11

## 2 Sewing preparations

- Connecting the power ..... 12
- Winding the lower thread ..... 14
- Threading the lower thread..... 16
- Threading the upper thread ..... 18
- Using the needle threader ..... 20
- Pulling up the lower thread ..... 22
- Application of each stitch pattern..... 23
- Changing the presser foot ..... 24
- Changing the needle..... 26
- Relationship between the needle, thread and fabric, and adjusting the thread tension..... 27

## 3 Sewing

- Straight stitching and reverse sewing ..... 28
- Zigzag sewing ..... 32
- Adjusting thread tension ..... 33
- Buttonhole sewing ..... 34
- Overcasting..... 37
- Zipper insertion ..... 38
- Blind hem stitching..... 40

## 4 Maintenance

- Feed dog and rotary hook maintenance ..... 42
- Changing light bulb ..... 46
- Servicing double-insulated products (230V-240V)..... 49
- Notice about the incandescent lamp..... 49
- Troubleshooting ..... 49

## 5 Others

- Recycling ..... 52
- Specifications..... 53

# 1

## Before use (Be sure to read this section before use)

### Important safety instructions

Use an AC 220 to 240 V power source.

These safety instructions are designed to prevent danger or damage arising from incorrect operation of the machine. Read carefully and always follow the instructions.

Explanation of “ ⚠ Warning ” and “ ⚠ Caution ”



**Warning**

Incorrect operation could result in death or serious injury.



**Caution**

Incorrect operation could result in injury or damage to the machine.

Symbol explanation



**Do not touch.**



**Prohibited actions**



**Required actions**



**Remove the power plug from the outlet.**



**Warning**



**Never modify the power cord, and protect it from damage and excessive bending or twisting.**

Power cord damage could result in electric shock or fire.



**Caution**



**Do not use outdoors.**

Doing so could result in electric shock or fire.



**Do not operate where aerosol (spray) products are being used or where oxygen is being administered.**

Doing so could result in fire.



**Do not repair, disassemble or modify except what is mentioned in the instruction manual.**

Doing so could result in electric shock, fire or injury.



## Caution



**Be sure to close the bobbin case cover before operating the sewing machine.**  
Not doing so could result in injury.



**When the machine is not in use it should be stored safely, not on the floor as protruding parts could cause injury if a person fell on the machine.**  
Failure to observe this precaution could result in injury.



**Before changing the needle or threading the lower thread or upper thread, use the main power switch to turn off the sewing machine.**  
Not doing so could result in injury.



**Do not look away from the needle while operating the sewing machine.**  
If the needle breaks it could result in injury.



**Do not touch moving parts such as the needle, take-up lever or handwheel.**  
Doing so could result in injury.



**Do not place your hand or fingers under the needle.**  
Doing so could result in injury .



**Do not use when young children are in the vicinity.**  
Children must not be permitted to play with the machine as they could touch the needle and be injured.



**When leaving the sewing machine after using it, use the main power switch to turn off the sewing machine, and then remove the power plug from the outlet.**  
Not doing so could result in injury.



**Before using the sewing machine make sure that the presser foot holder clamp screw, needle clamp screw and needle plate screw are firmly tightened, and that the presser foot is properly set in the presser foot holder.**  
Not doing so could result in injury.



**Do not perform the following actions.**  
Doing so could result in injury.

- Sewing without lowering the presser foot.
- Sewing while the needle is incorrectly installed.
- Using a bent needle.
- Sewing while jerking the fabric.
- Moving the pattern selection dial while sewing.



## Caution



**Do not operate on an unstable surface such as a sofa or a bed.**

If the sewing machine falls down, it could result in injury or damage to the machine.



**Do not drop or insert any foreign objects into any openings such as opening space when you remove the face cover and / or the outer casing space of bobbin case.**

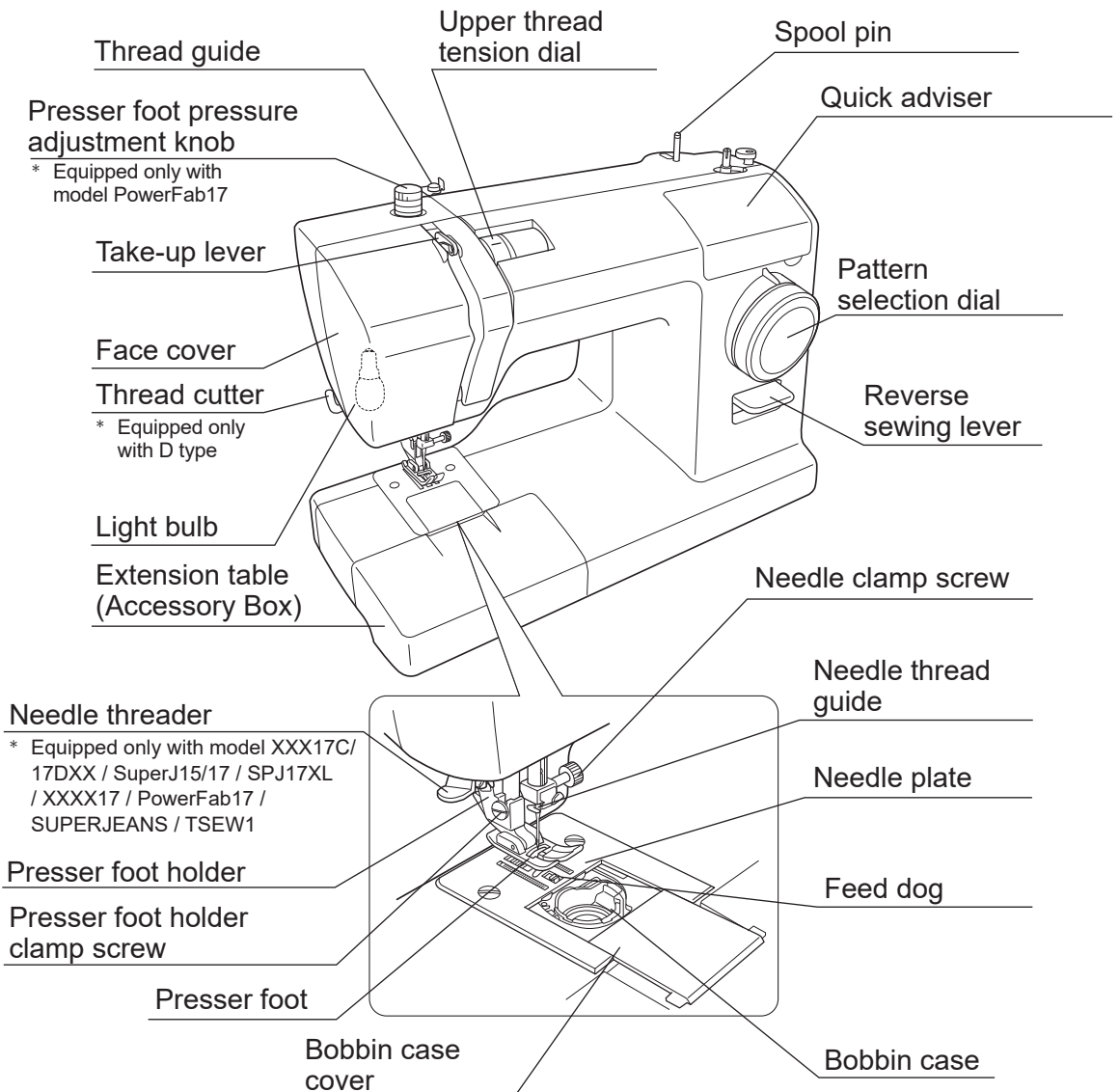
Doing so could result in injury or damage to the machine.

The machine can be used by, children aged from 8 years and above and persons with reduced physical, sensory or mental capabilities or lack of experience and knowledge, only if they are supervised or have been given proper instructions concerning use of the machine in a safe way and fully understand the hazards involved.

# Part names

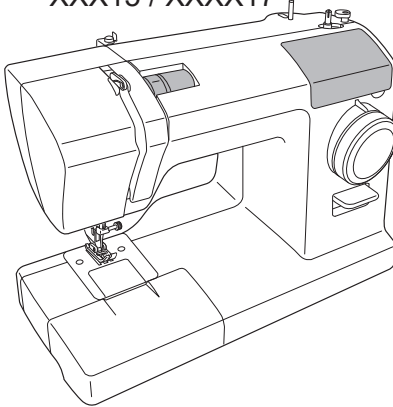
This manual provides descriptions on operating procedures for two sewing machine models.

Normally, descriptions will apply to both models; however, descriptions that apply to only one of the models will be indicated with "C type" or "D type".



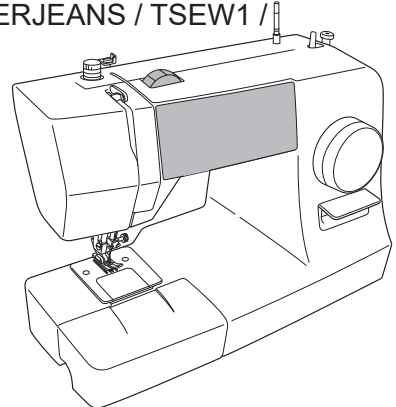
**C type**

Model XXX15C/17CXX /  
XXX15 / XXXX17



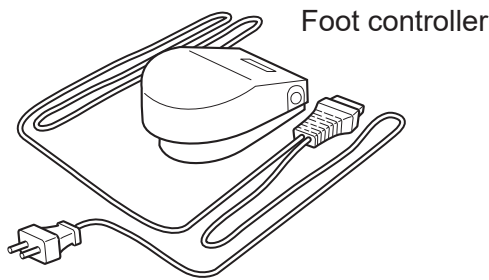
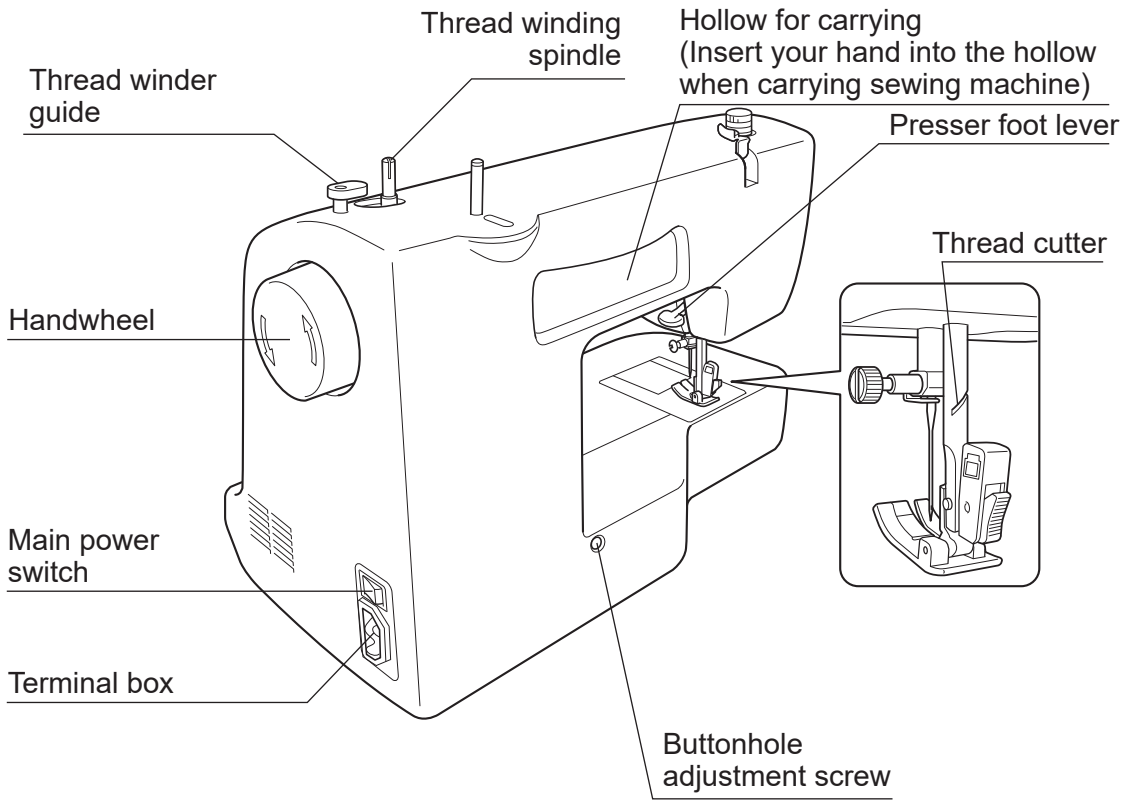
**D type**

Model XXX15D/17DXX / SuperJ15/17 /  
SPJ17XL / SUPERJEANS / TSEW1 /  
PowerFab17



**1**

Before use (Be sure to read this section before use)



---

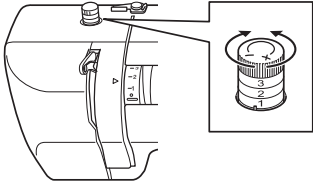
# Part names and their functions

---

The various parts of the sewing machine have the functions described below.

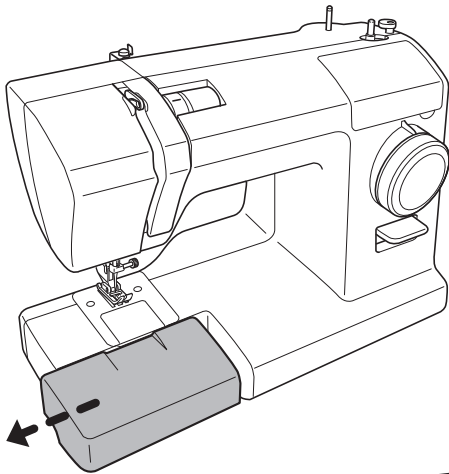
## Presser foot pressure adjustment knob

\* Equipped only with model PowerFab17

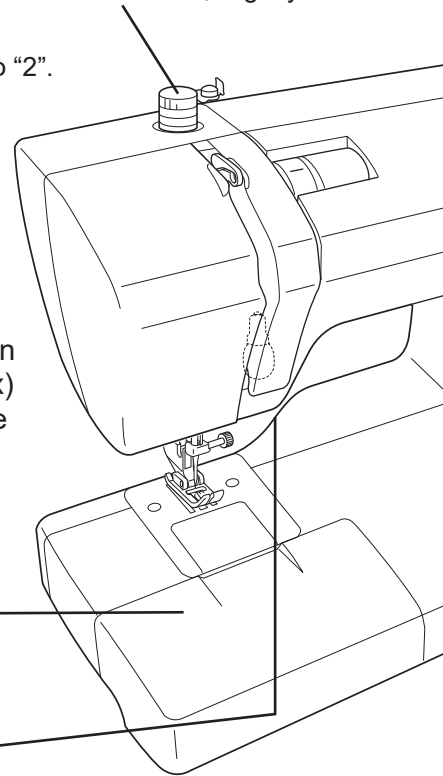


- By turning this knob, the amount of pressure applied by the presser foot can be adjusted.
- Turning the knob toward “-” reduces the amount of pressure applied by the presser foot.
- For best results when sewing stretch or thin fabrics, slightly reduce the pressure.
- Normally, sew with the knob set to “2”.

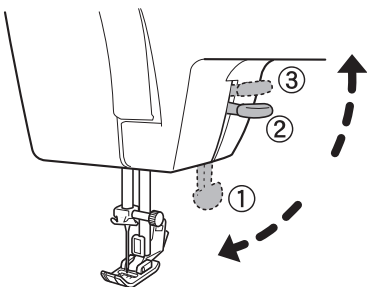
## Extension table (Accessory Box)



- Pull out the extension table (accessory box) in the direction of the arrow.

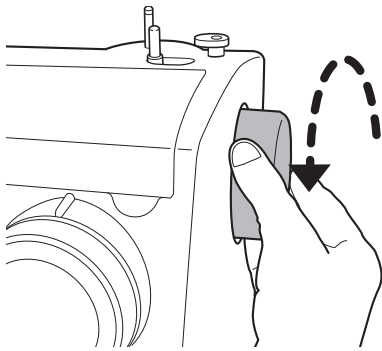


## Presser foot lever



- When sewing, lower the presser foot lever to lower the presser foot. (Position ①)
- When inserting fabric, lift up the presser foot lever to raise the presser foot. (Position ②)
- The presser foot can be raised even higher by raising the presser foot lever to position ③. Since the presser foot lever does not remain in this position, hold it in place when inserting the fabric. This position is useful when sewing thick fabric.



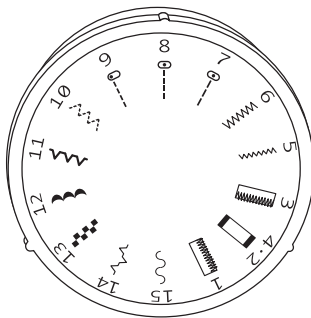


## Handwheel

- Use the handwheel to manually raise and lower the needle.

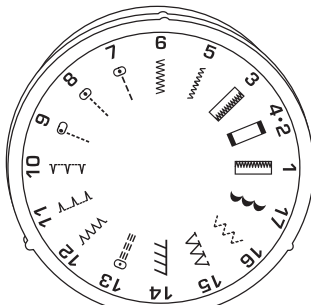
### Note:

**Always turn the handwheel toward you (in the direction of the arrow). If the handwheel is turned in the opposite direction, the thread may become tangled.**



### 15 stitch programmes

Model XXX15C/15DXX / SuperJ15 /  
XXX15 / SUPERJEANS / TSEW1

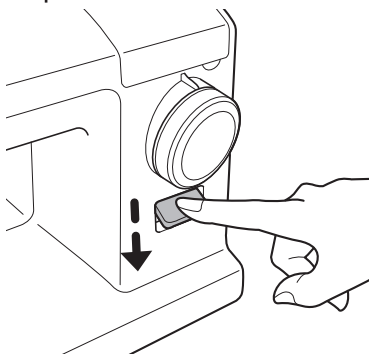


### 17 stitch programmes

Model XXX17C/17DXX / SPJ17XL /  
SuperJ17 / XXXX17 / PowerFab17

## Pattern selection dial

- Select the pattern to be used.  
Turn the pattern selection dial until the desired pattern aligns with the mark above the dial.



## Reverse sewing lever

- Press down the reverse lever, when sewing in reverse.
- Remove your finger from the reverse sewing lever to return to forward direction sewing.

---

# Quick adviser

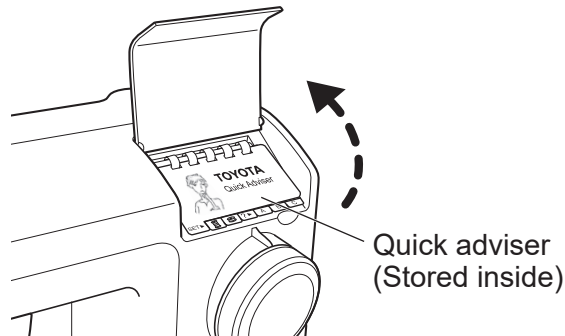
---

The quick adviser (under the lid on the sewing machine) provides various descriptions such as basic machine operations.

## ● Accessing the quick adviser

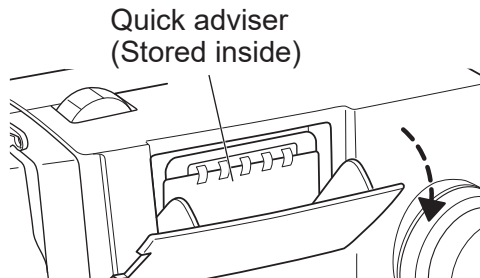
### ■ C type

Flip up the lid to open it.



### ■ D type

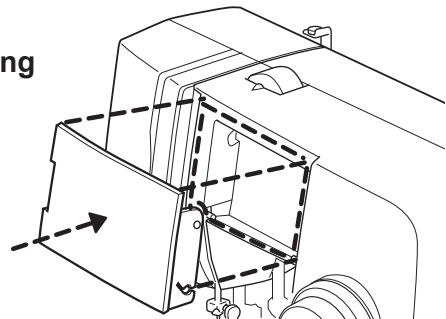
Pull the top of the lid toward you to open it.



---

#### Note:

- Do not pull down the top of the lid with extreme force. The lid may break.
- If the lid has been removed from the machine, fit the lid into the corresponding area of the machine, and then push it straight in until it snaps into place.



# How to operate foot controller

## ⚠ Caution

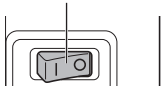


Be sure to use the main power switch to turn off the sewing machine before connecting the foot controller. Not doing so could result in injury.

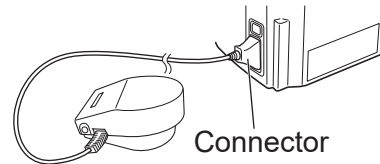
## ■ Operation

- 1** Press the “○” side of the main power switch to turn off the sewing machine.

Main power switch

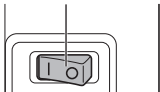


- 2** Insert the power cord connector into the terminal box on the machine.



- 3** Press the “|” side of the main power switch to turn on the sewing machine.

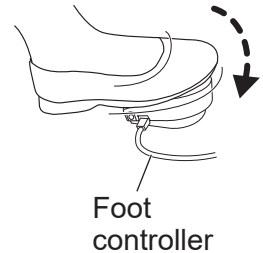
Main power switch



- 4** Step on the foot controller to operate the sewing machine.

The more you press the foot controller, the faster the machine runs.

Release the foot controller to stop the machine.



2

Before use (Be sure to read this section before use)

# 2

## Sewing preparations

### Connecting the power

#### Warning



**Do not touch the power plug with wet hands.**  
Doing so could result in electric shock.

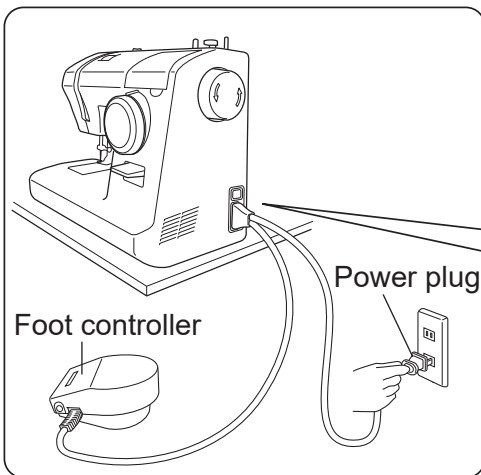


**Grip the power cord by the plug when unplugging it from the outlet.**  
Pulling on the cord itself could damage it, resulting in electric shock, fire or injury.

#### Caution



**Before plugging in the power cord, use the main power switch to turn off the sewing machine.**  
Not doing so could result in injury.



1

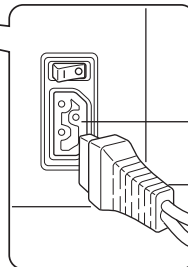
Prepare the foot controller.

2

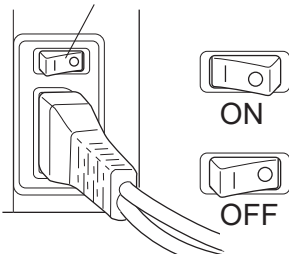
Insert the power cord connector into the terminal box.

3

Insert the power plug into the outlet.



Main power switch



4

Press the “I” side (power on) of the main power switch.

The power is turned on.

---

# Memo

---

# Winding the lower thread

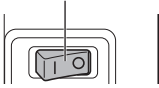
**Note:**  
Prepare a bobbin  
for this machine.



Start

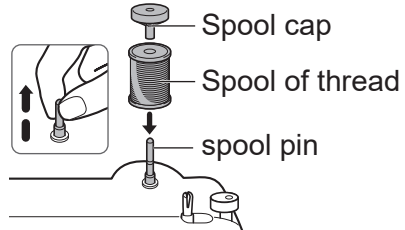
- 1 Turn off the sewing machine.

Main power switch



Complete

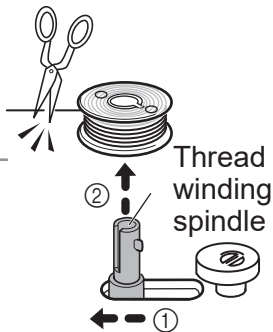
- 2 Pull up the spool pin.  
Position the spool of thread and the spool cap on to the spool pin.



Thread guide (3)

- 10 ① Return the thread winding spindle by sliding it in the direction of the arrow.

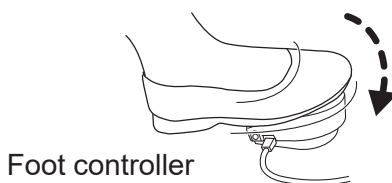
**Note**  
If the thread winding spindle is not returned, the needle does not move and sewing is not possible.



- ② Remove the bobbin from the thread winding spindle, and cut the thread.

- 9 ① Press on the foot controller with your foot to continue winding the bobbin.

- ② When the bobbin winding becomes slow, release the foot controller to stop winding the bobbin.



Foot controller

- 8 Cut the excess thread above the bobbin hole.

\* Cut the thread so that no excess extends from the bobbin hole.

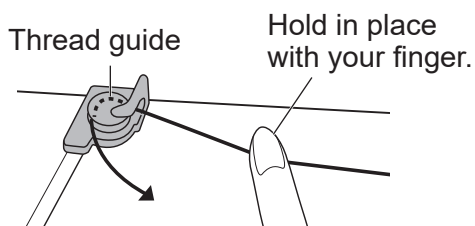


**Caution**

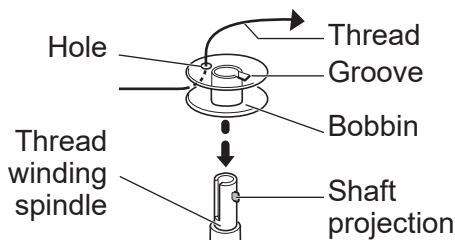


While the bobbin is being wound, do not touch the thread winding spindle or the handwheel. Doing so could result in injury.

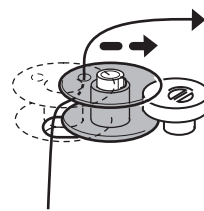
- 3** Pull the thread from the thread spool, and then hold it with one hand while passing it around the thread guide with the other hand, as shown.



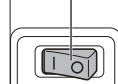
- 4** Pass the thread end through the hole in the bobbin as shown. Place the bobbin on the thread winding spindle so the groove aligns with the shaft projection.



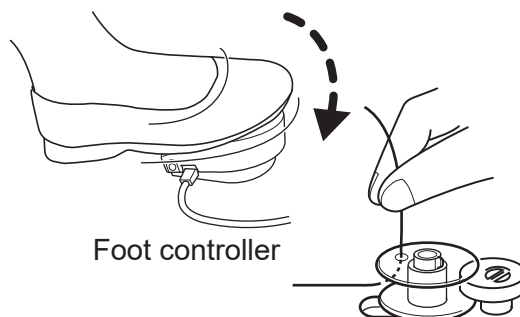
- 5** Slide the thread winding spindle in the direction of the arrow until it snaps into place.



- 6** Turn on the machine.  
Main power switch



- 7**
- While holding the thread end, begin pressing on the foot controller with your foot.
  - After the thread has been wound around the bobbin about 10 times, release the foot controller to stop winding.

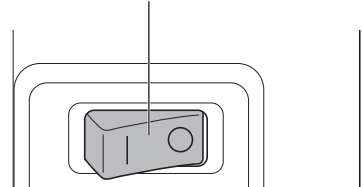


# Threading the lower thread

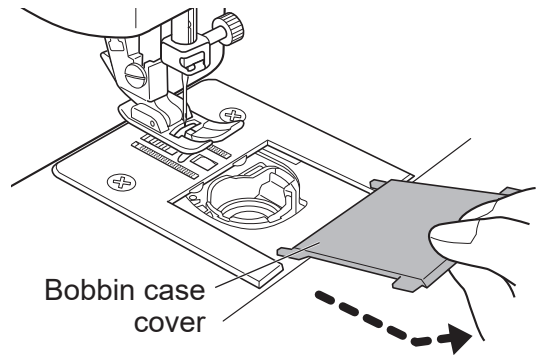
Open the bobbin case cover, and insert the bobbin into the bobbin case. The bobbin must be inserted correctly in order for the sewing machine to properly function.

**1** Turn off the sewing machine.

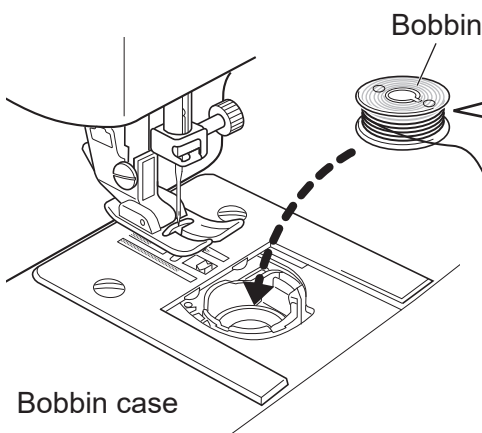
Main power switch



**2** Pull the bobbin case cover toward you.



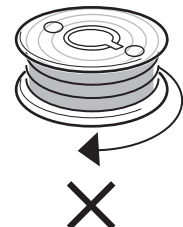
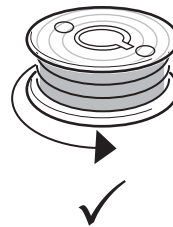
**3** Insert the bobbin so that it rotates in a counterclockwise direction.



Thread unwinding direction

Counterclockwise

Clockwise

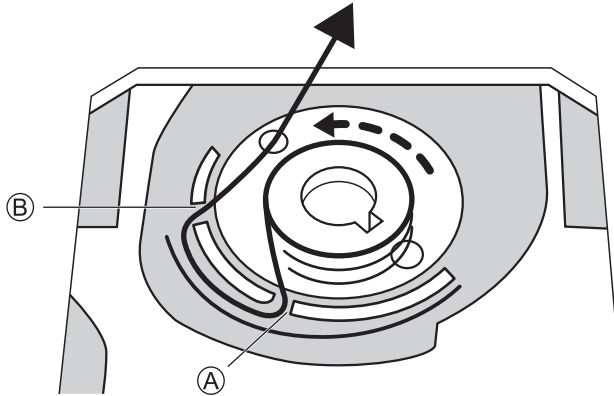


Check the orientation of the bobbin.



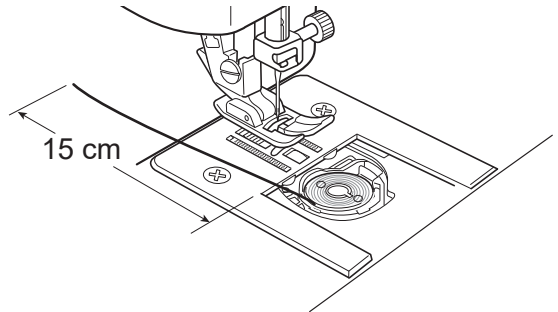
4

Route the thread through slits (A) and (B) of the tension regulator as shown, and then pull the end of the thread out toward the back of the machine.



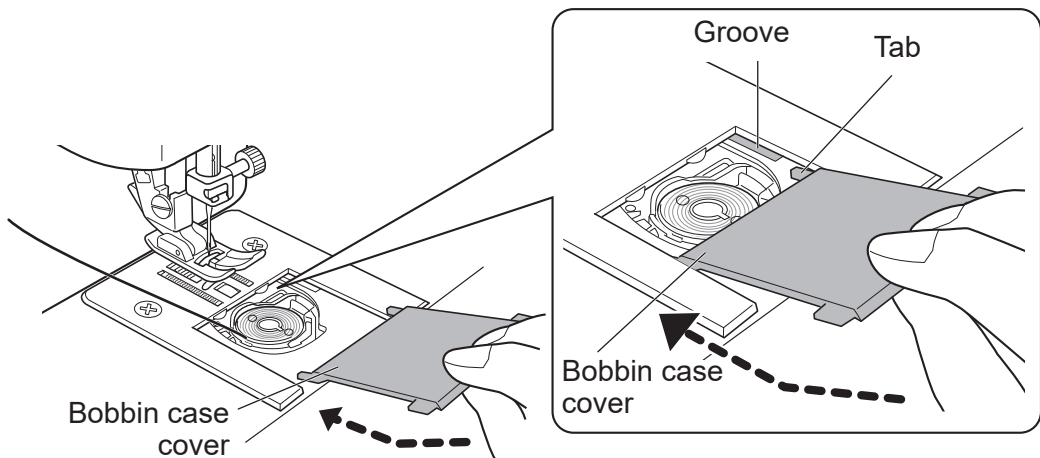
5

Pull about 15 cm of thread out toward the back of the machine.



6

Set the tabs on the bobbin case cover into the rotary hook retaining grooves, and then slide the cover toward the back to seat it.

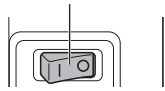


# Threading the upper thread

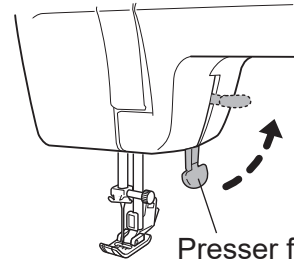
Start

- 1** Turn off the sewing machine.

Main power switch



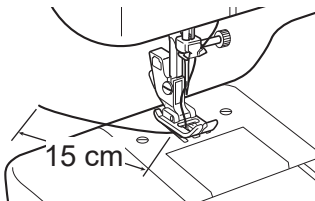
- 2** Raise the presser foot lever.



Presser foot lever

Complete

- 9** Pass the thread through the presser foot, and then pull out about 15 cm of thread to the rear.



15 cm

Thread guide (5)

Take-up lever (6)

Needle thread guide (7)

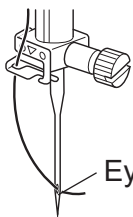
Eye of needle (8)

Presser foot (9)

Presser foot lever (2)

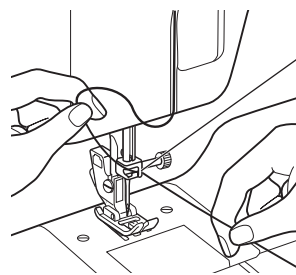
- 8** From the front, pass the thread through the eye of the needle.

\* When using the needle threader, refer to page 20.

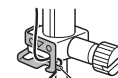


Eye of needle

- 7** Pass the thread through the needle thread guide.



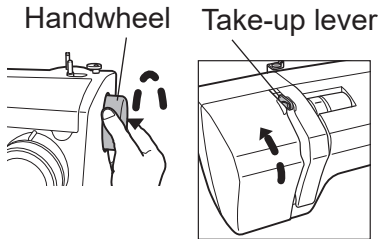
Needle thread guide



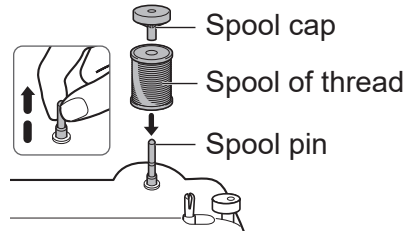
Needle thread guide

The thread can easily be passed through the needle thread guide by holding the thread in your left hand, then feeding the thread with your right hand, as shown.

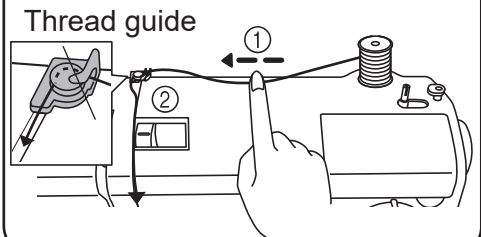
- 3** Turn the handwheel toward you to raise the take-up lever.



- 4** Pull up the spool pin. Position the spool of thread and the spool cap on to the spool pin.



- 5**
- 1** Pull the thread from the thread spool, and hold it with one hand.
  - 2** Pass the thread around the thread guide with the other hand, as shown.

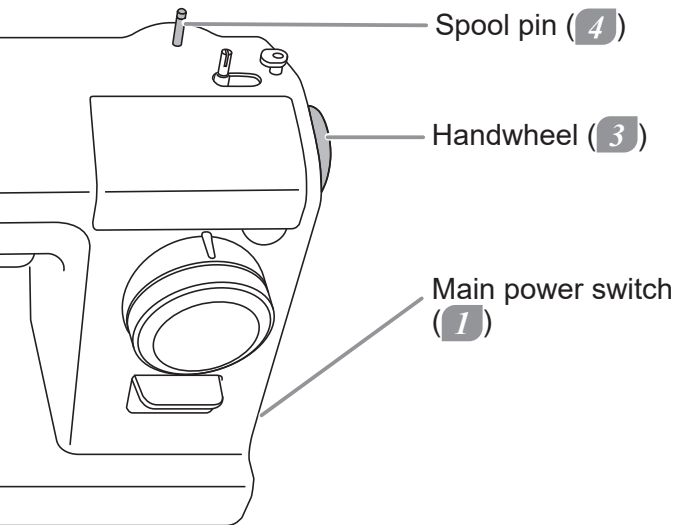
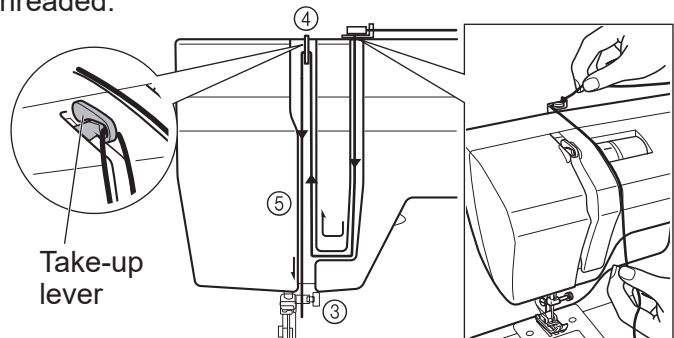


- 6**
- 3** Pull the thread down along the groove, and then pull it back up.
  - 4** Pass the thread through the take-up lever from the right.
  - 5** Pull the thread down along the groove.

Check that the take-up lever is correctly threaded.

Pass the thread in the order shown. (3 through 5)

The thread should be taut and secure.



# Using the needle threader

\* Equipped only with model **XXX17C/17DXX / SuperJ15/17 / SPJ17XL / XXXX17 / SUPERJEANS / TSEW1 / PowerFab17**

## ⚠ Caution



Before using the needle threader, use the main power switch to turn off the sewing machine.  
Not doing so could result in injury.

\* Use sewing machine needles No. 11/75 to 16/100 with the needle threader.  
(Needle No 14/90 is included when the sewing machine is purchased.)

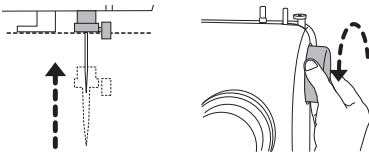
The needle cannot be threaded if the thread is too thick for the needle. For details on possible needle and thread combinations, refer to “Relationship between the needle, thread and fabric, and adjusting the thread tension” on page 27.

## ● Preparing to use the needle threader

1

Turn the handwheel toward you until the needle is in its highest position.

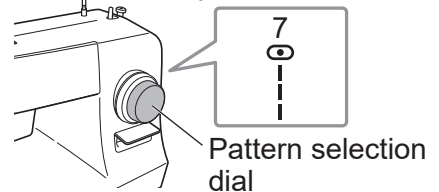
\* If the needle is not in its highest position, the needle cannot be threaded.



2

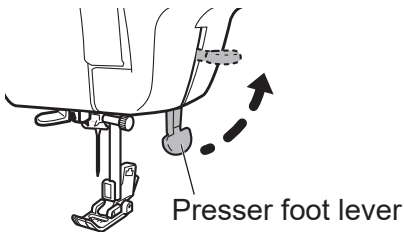
Turn the pattern selection dial to “7” (straight stitch).

\* Otherwise, the needle threader may not operate correctly and the needle may not be threaded.



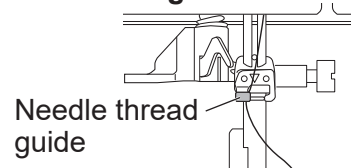
3

Raise the presser foot lever.

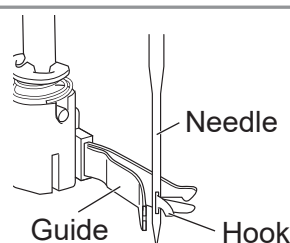
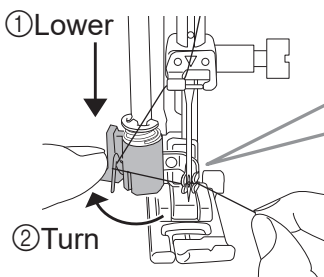


4

Check that the thread has been passed through the needle thread guide.



## ● Understanding the needle threader mechanism

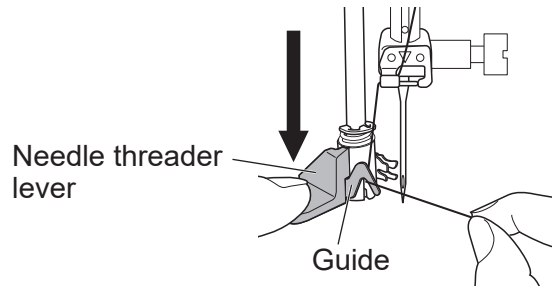


The hook is within the guide. The hook passes through the needle, catches the thread, then pulls the thread through the needle.

## ● Using the needle threader

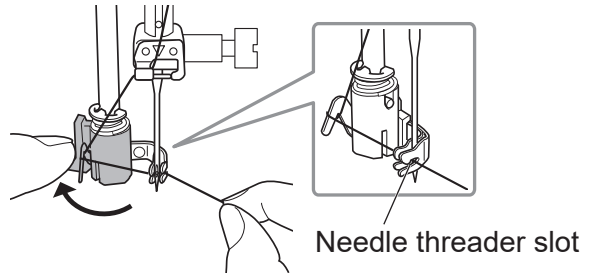
1

While fully lowering the needle threader lever, hook the thread on the guide as shown in the diagram.



2

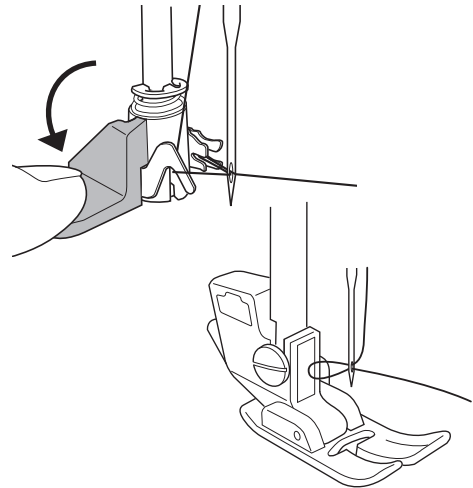
Fully turn the needle threader lever to the rear, and pull the thread through the needle threader slot.



3

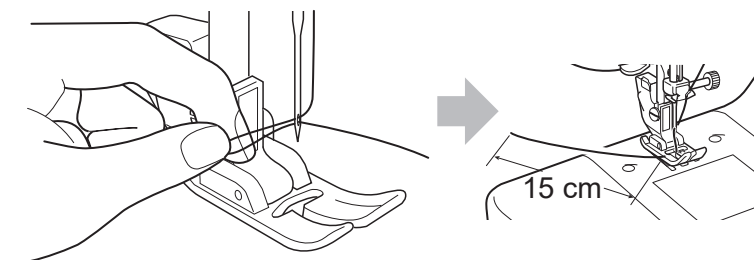
- ① Slowly return the needle threader lever toward you as much as possible.
- ② Check that the thread has passed through the eye of the needle.
- ③ Release the needle threader lever while releasing the end of the thread.

\* If the needle is not threaded, check that the needle has been raised to its highest position, and then repeat the procedure starting with step 1.



4

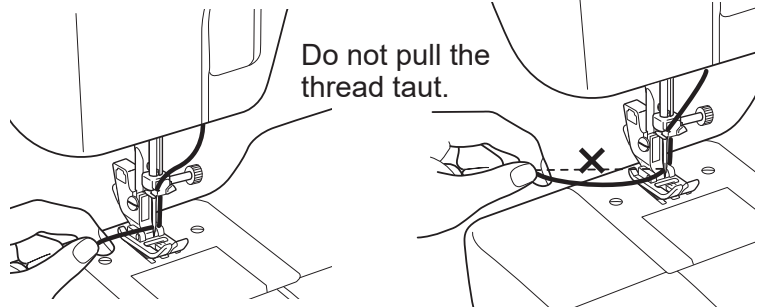
Pull the thread loop that formed behind the needle, and then pull about 15 cm of thread to the rear.



# Pulling up the lower thread

1

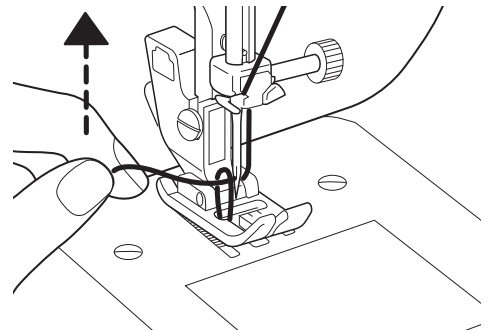
Raise the presser foot lever. Loosely hold the upper thread with your left hand, and then turn the handwheel toward you one full turn.



Do not pull the thread taut.

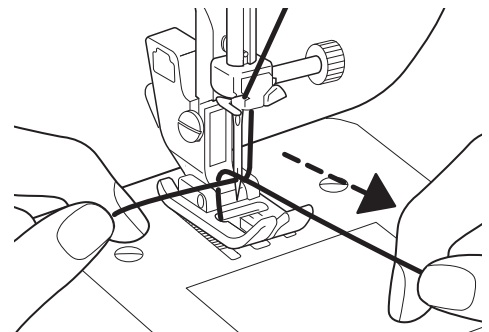
2

Lightly pull the upper thread with your left hand to pull up the lower thread.



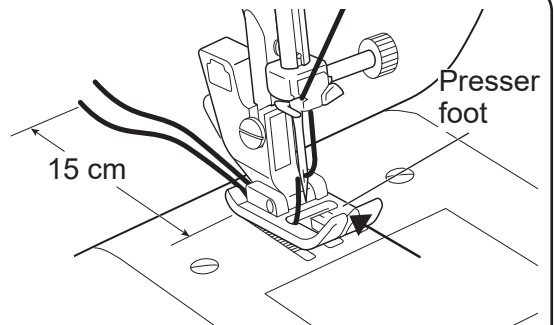
3

Pull out the lower thread to the front.



4

Align both threads, pass them through the groove (arrow) and under the presser foot, and then pull out about 15 cm of thread to the rear.



# Application of each stitch pattern

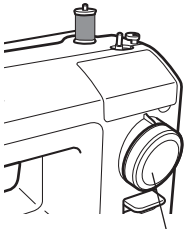
## ⚠ Caution



**Before turning the pattern selection dial, use the main power switch to turn off the sewing machine.**  
Not doing so could result in injury.



**Do not turn the pattern selection dial while the needle is lowered.**  
Doing so could break the needle and result in injury.



Turn the handwheel toward you to raise the needle to the highest position.  
Turn the pattern selection dial to choose the pattern.

Pattern selection dial

|                   |                                   |           |   |
|-------------------|-----------------------------------|-----------|---|
| 1 · 2 · 3 · 4<br> | Buttonhole                        | 7 · 8<br> | Straight stitch<br>Sewing-seams<br>Zipper insertion |
| 5 · 6<br>         | Zigzag<br>Applique<br>Overcasting | 9<br>     | Thin fabric straight stitch                         |

## 15 stitch programmes

|        |   |        |                                 |
|--------|---|--------|---------------------------------|
| 10<br> | Mending stitch<br>Thin fabric overcasting | 13<br> | Castle stitch                   |
| 11<br> | Blind hem stitch                          | 14<br> | Decorative stitch<br>Fagotting  |
| 12<br> | Scallop stitch                            | 15<br> | Decorative stitch<br>Serpentine |

## 17 stitch programmes

|             |                                  |             |   |
|-------------|----------------------------------|-------------|---|
| 10<br>      | Blind hem stitch                 | 14 · 15<br> | Decorative stitch<br>Overlock             |
| 11 · 12<br> | Decorative stitch<br>Overcasting | 16<br>      | Mending stitch<br>Thin fabric overcasting |
| 13<br>      | Reinforced straight stitch       | 17<br>      | Scallop stitch                            |

# Changing the presser foot

## ⚠ Caution

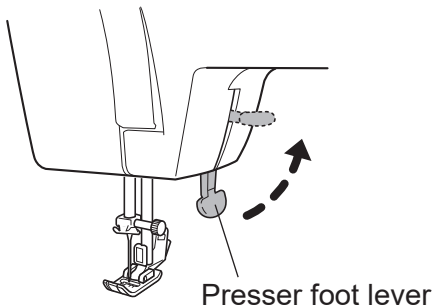


Before changing the presser foot, use the main power switch to turn off the sewing machine.

Not doing so could result in injury.

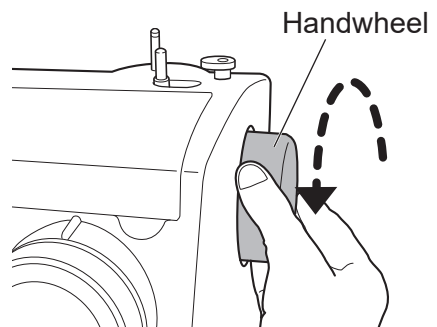
## ● Removal

**1** Raise the presser foot lever.

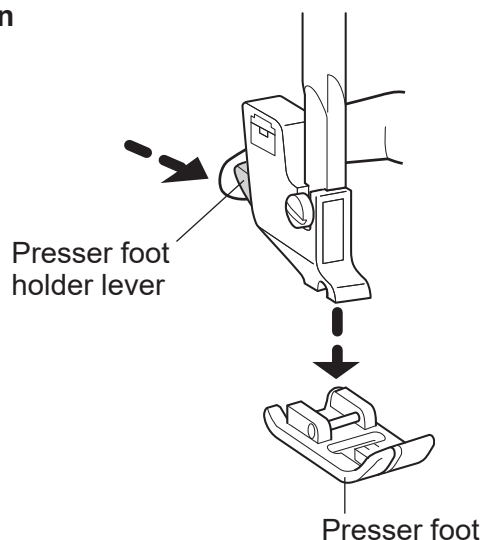


**2** Turn the handwheel toward you to raise the needle.

**Note:**  
Never turn in the wrong direction.



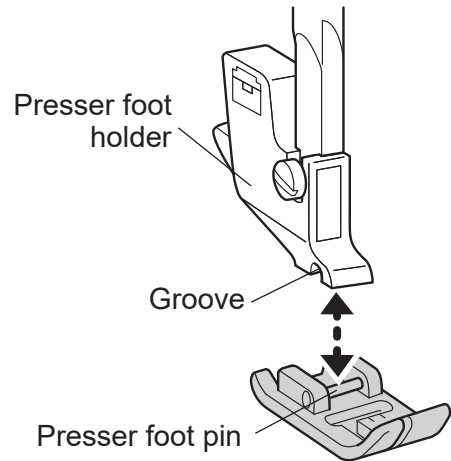
**3** Press the presser foot holder lever in the direction of the arrow to release the presser foot.



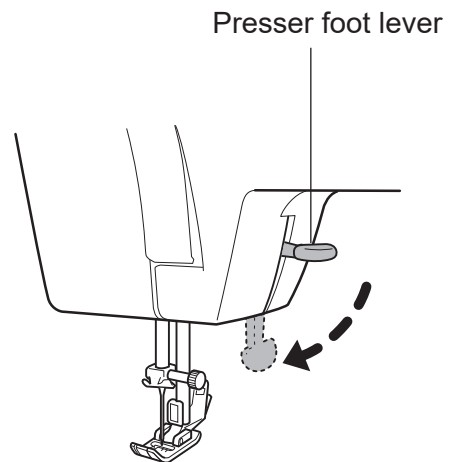


## ● Installation

- 1** Position the presser foot pin directly below the groove in the presser foot holder.



- 2** Lower the presser foot lever to secure the presser foot.



### Tip

In order to avoid losing the presser foot, we recommend storing the machine when it is not being used with the needle and the presser foot lowered.

# Changing the needle

## ⚠ Caution



**Before changing the needle, use the main power switch to turn off the sewing machine.**

Not doing so could result in injury.

**Broken needles are dangerous. Be sure to dispose of them in a safe place away from children.**

Not doing so could result in injury.

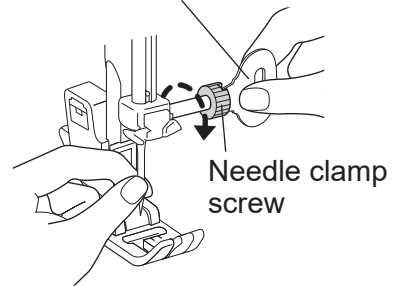
**1** Turn the handwheel toward you to raise the point of the needle above the needle plate.

**2** Holding the needle with one hand, loosen the needle clamp screw with the screw driver for the needle plate, and remove the needle.

**Note:**

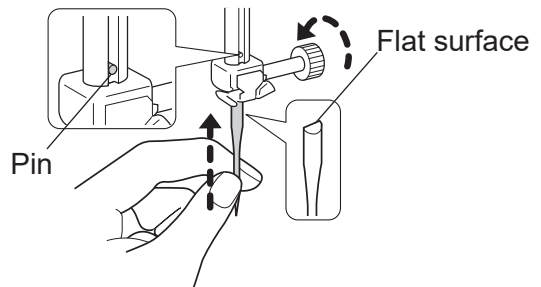
**Do not remove the needle clamp screw. Loosen the needle clamp screw to remove the needle.**

Screw driver for the needle plate



**3** Face the flat surface of the needle to the rear and insert to where it contacts the pin at the base of the needle bar.

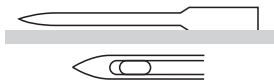
Firmly tighten the needle clamp screw with the screw driver for the needle plate.



## ● Correct needle selection

If a faulty needle is used, not only could it impair the sewing performance, but it could also damage the needle plate or rotary hook, or break the needle.

○ Good needle



\* Incorrect stitching or thread breaking, try replacing the needle.

× Faulty needle



The entire needle is bent




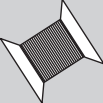

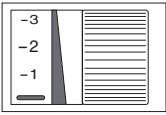
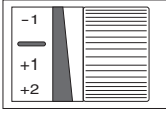
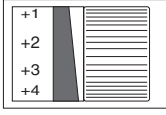
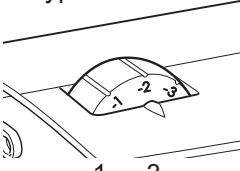
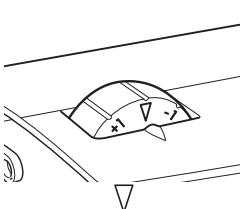
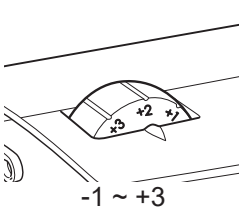
The point of the needle is crushed / worn away



The point of the needle is bent

# Relationship between the needle, thread and fabric, and adjusting the thread tension

The quality of the sewing finish will improve if the needle and thread are changed to match the type of fabric. Follow the directions in the table below.

|  |   | Thin fabrics  | Normal fabrics   | Thick fabrics  |
|--|---|---|--|--|
| Relationship between the needle, thread and fabric | <br>Needle | No. 11/75   | No. 14/90  | No. 16/100   |
|  | <br>Thread | Polyester No. 90<br>Cotton No. 80 to No. 120<br>Silk No. 80   | Polyester No. 50 to No. 60<br>Cotton No. 60 to No. 80<br>Silk No. 50 to No. 80               | Polyester No. 30 to No. 50<br>Cotton No. 40 to No. 50<br>Silk No. 50                                 |
|  | <br>Fabric | Normal back cloth<br>Quipler<br>Georgette<br>Lawn<br>Lace, etc.   | Normal front cloth<br>Broad<br>Soft denim<br>Satin<br>Pile<br>Gingham, etc.                  | Curtains<br>Denim<br>Quilting<br>Fleece<br>Tweed<br>Felt, etc.                                       |
| Reference thread tension                           | Upper thread tension dial   | <ul style="list-style-type: none"> <li>● C type</li> </ul>  <p>-1 ~ -3</p> |  <p>—</p> |  <p>+1 ~ +3</p> |
|  |   | <ul style="list-style-type: none"> <li>● D type</li> </ul>  <p>-1 ~ -3</p> |           |  <p>-1 ~ +3</p>  |

- Use a ball point needle for the sewing alignment of stretch fabric.
- Please purchase any needles not included as accessories, after checking they are specified as home-use sewing machine needles.
- Use the same kind of threads for upper/lower thread.
- The bigger the needle number is, the thicker the needle is, the bigger the thread number is, the thinner the thread is.
- Normally, sew with the upper thread tension dial set to “ — ” (C type) / “ ▽ ” (D type).

# 3

# Sewing

## Straight stitching and reverse sewing

 Caution



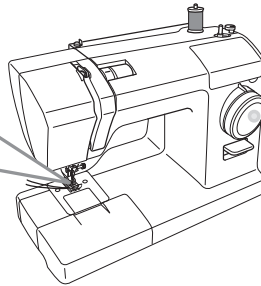
**Do not pull the fabric excessively while sewing.**  
Doing so could break the needle and result in injury.

### ● Straight stitch

**1** Turn the handwheel toward you to raise the needle.

**2** Turn the pattern selection dial to choose the pattern.

Zigzag sewing foot  
(Originally attached to  
the sewing machine)

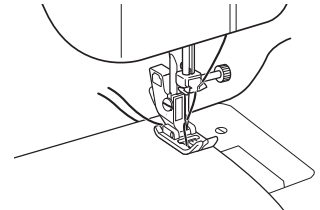


|     |     |        |
|-----|-----|--------|
| 7   | 8   | 9      |
|     |     |        |
| 4.0 | 2.0 | 2.0 mm |

(For details on changing the presser foot, refer to “Changing the presser foot” on page 24.)

**3** Position the fabric and lower the presser foot lever.

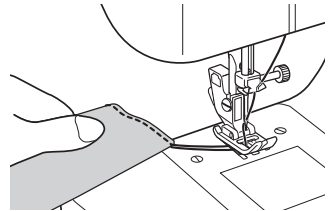
Step on the foot controller to begin sewing.



### ● End of sewing

After sewing, turn handwheel toward you until the needle is in the highest position.

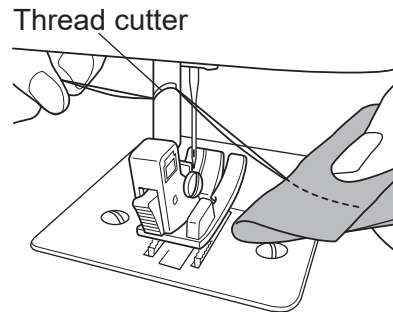
Raise the presser foot and pull out the fabric to the rear.



## ● Thread cutter

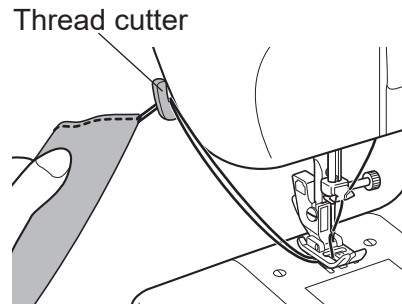
### ■ C type

Line up the two threads, and cut them with the thread cutter on the presser bar.



### ■ D type

Line up the two threads, and cut them with the thread cutter on the face cover.



## ● Reverse sewing

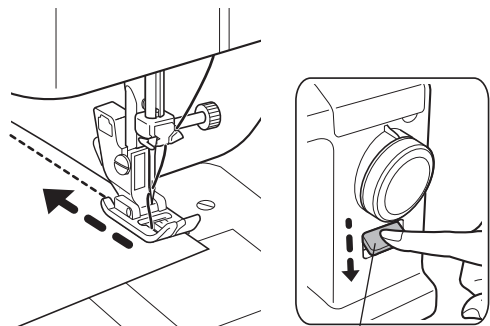
Reverse sewing is performed at the beginning and the end of sewing to prevent the thread from unraveling.

**Reverse sewing is performed while pressing down the reverse sewing lever.**

- Stitch 1 cm from the edge of the fabric to prevent unraveling at the start of sewing.
- Sew 3 to 4 reverse stitches at the end of sewing.

#### Note:

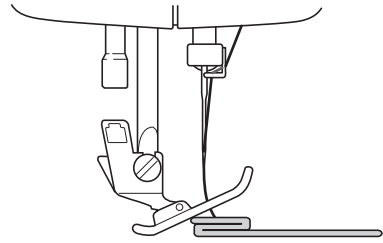
**Remove your finger from the reverse sewing lever to return to forward direction sewing.**



Reverse sewing lever

## ● Sewing thick fabric

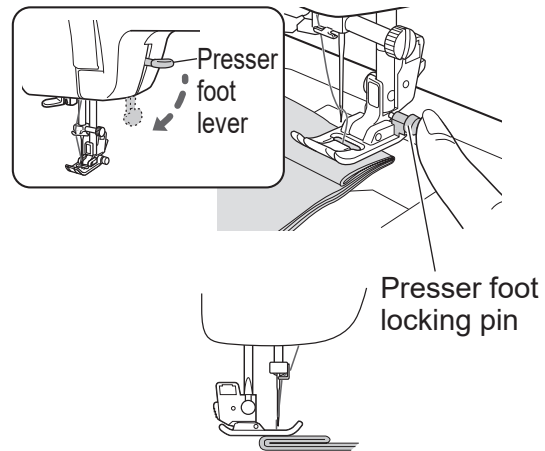
When sewing over thick fabric, the angle of the presser foot may interfere with feeding of the fabric.



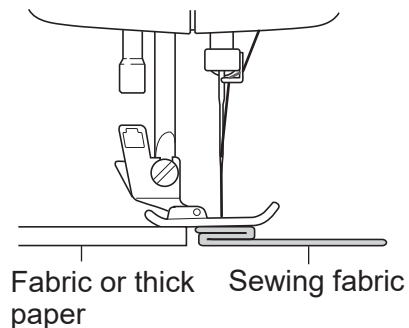
**While lifting the black button (the presser foot locking pin) lightly and pressing it, lower the presser foot lever.**

**The presser foot remains level, allowing the fabric to be fed.**

**After the seam is sewn, the presser foot will return to its original position.**



**To prevent this, find a piece of fabric or paper of the same thickness as the fabric you are working on under the back side of the presser foot.**

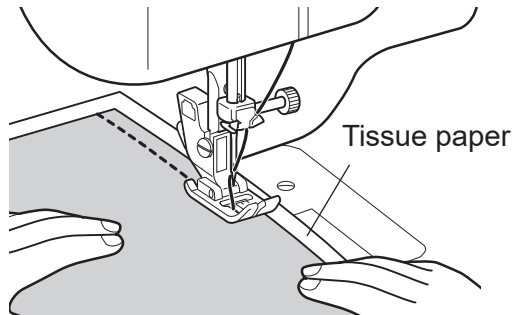


## ● Sewing thin fabric

When sewing thin fabric, sometimes fabric puckers or is not fed correctly.

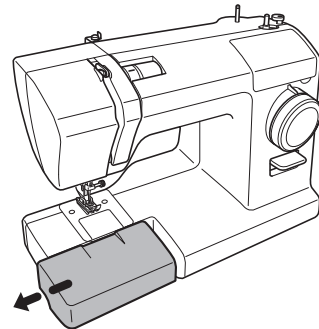
At that time, sewing is easier if it is sewn on top of a piece of tissue paper.

After sewing remove the paper carefully.

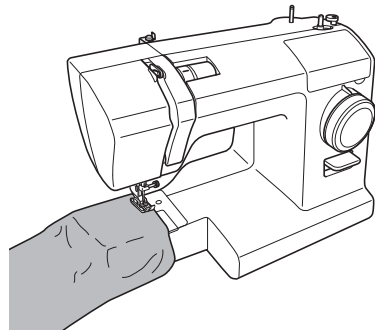


## ● Sewing tube-shaped fabrics

**1** Pull out the extension table (accessory box) in the direction of the arrow.



**2** Sew tube-shaped fabrics such as trousers or sleeves, by pulling them over the machine free arm as shown in the diagram.



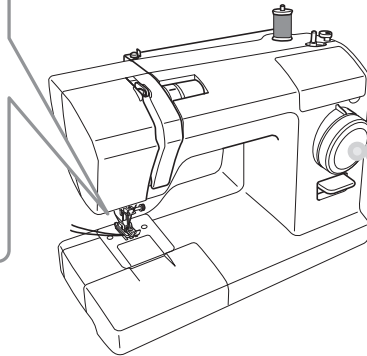
# Zigzag sewing

There are various zigzag applications, such as applique and overcasting.

**1** Turn the handwheel toward you to raise the needle.

**2** Turn the pattern selection dial to choose the pattern.

Zigzag sewing foot  
(Originally attached to  
the sewing machine)



5



2.5

6

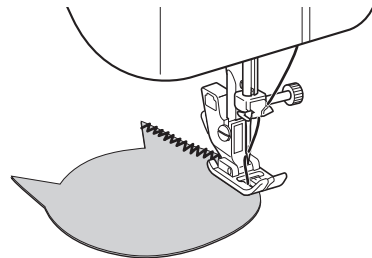


5.0 mm

(For details on changing the presser foot, refer to “Changing the presser foot” on page 24.)

**3** Position the fabric and lower the presser foot.

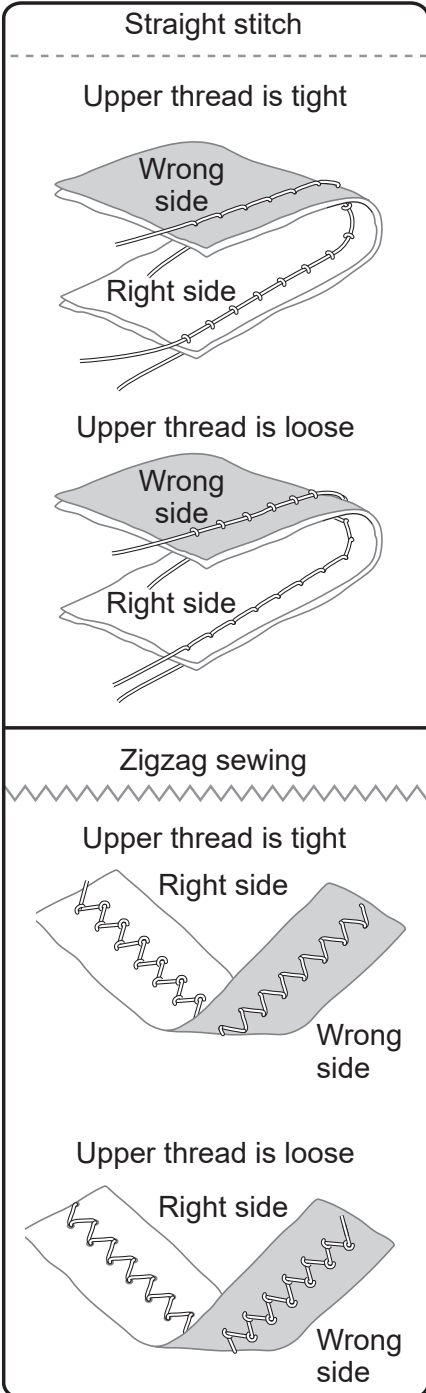
Step on the foot controller to begin sewing.





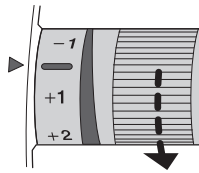
# Adjusting thread tension

- If necessary, adjust the upper thread tension as follows.

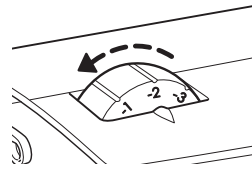


- Upper thread is too tight

C type



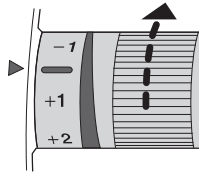
D type



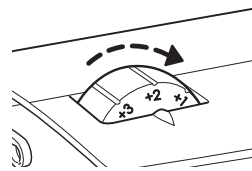
Lower the upper thread tension.

- Upper thread is too loose

C type



D type



Increase the upper thread tension.

**Note:**

If the tension does not change even when you adjust the upper thread tension, re-thread the upper and lower threads.

# Buttonhole sewing

Buttonhole sewing to match the size of the button is possible.  
For stretch fabric or thin fabric, it is recommended to use a stabilizer for a better buttonhole finish.

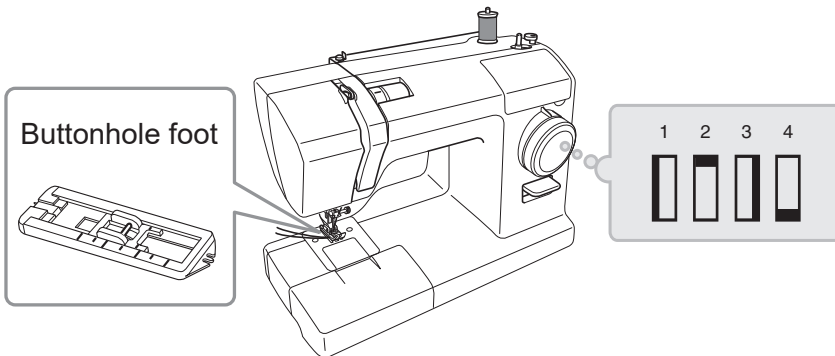
## ⚠ Caution



**Before changing the presser foot, use the main power switch to turn off the sewing machine.**

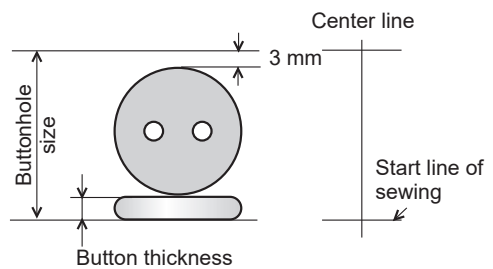
Not doing so could result in injury.

## 1 Change to the buttonhole foot.



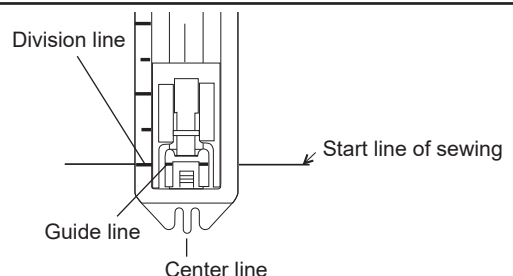
(For details on changing the presser foot, refer to “Changing the presser foot” on page 24.)

## 2 Set the buttonhole size and mark lines on the fabric.

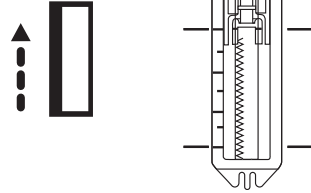


(Button diameter+button thickness+3mm)

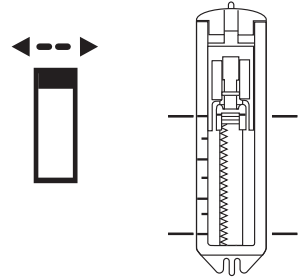
## 3 Align the buttonhole foot division line closest to you with the guide line, and lower the presser foot to the start line of sewing on the fabric.



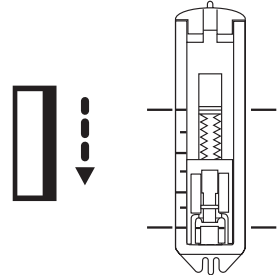
- 4** Raise the needle to the highest position, set the pattern dial to “1”, sew the left side and stop at the line marked on the fabric.



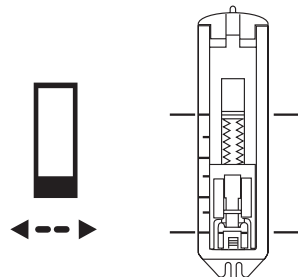
- 5** Raise the needle to the highest position, set the pattern dial to “2”, and sew 5 to 6 bar-tack stitches. “2” and “4” on the pattern selection dial use the same dial position.



- 6** Raise the needle to the highest position, set the pattern dial to “3”, sew the right side and stop at the line marked on the fabric.



- 7** Raise the needle to the highest position, set the pattern dial to “4”, and sew 5 to 6 bar-tack stitches.



**Caution**



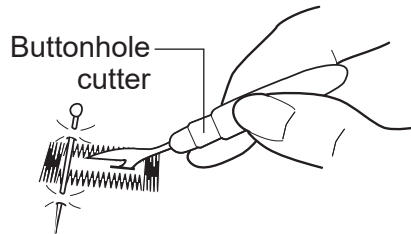
When using the buttonhole cutter to cut the buttonholes, do not hold the fabric in front of the cutter. Doing so could result in injury to your hand.

8

Use the buttonhole cutter to cut the center, making sure not to cut the stitches.

**Note:**

If a marking pin is put in the bar-tack area it helps to prevent cutting the bar-tack with the buttonhole cutter.

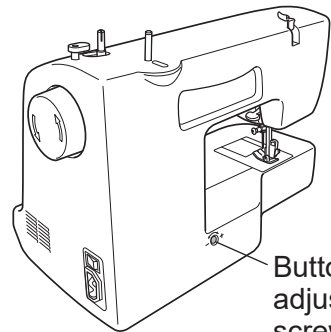


## ● Adjustment of buttonhole balance

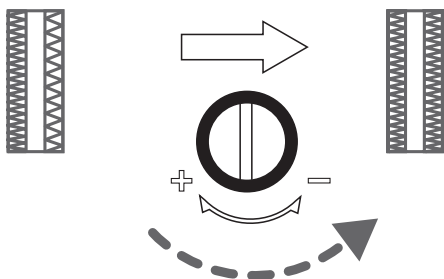
- Use the buttonhole adjustment screw to adjust the balance between the stitches (rear side).
- Adjust by turning with the ⊖ screw driver of your own.
- Don't turn the screw more than 90°.

**Note:**

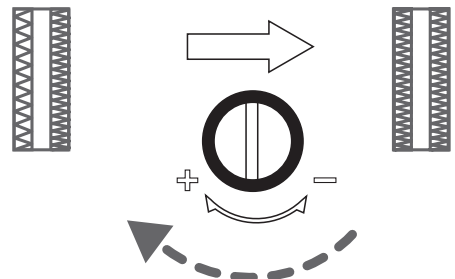
The original position of buttonhole adjustment screw may vary according to the model of machine.



If the stitches are loose on the right side of the buttonhole, turn slightly in the “-” direction.



If the stitches are loose on the left side of the buttonhole, turn slightly in the “+” direction.



# Overcasting

This is a sewing method that prevents unraveling at the edge of the fabric.

## ⚠ Caution



**Before changing the presser foot, use the main power switch to turn off the sewing machine.**

Not doing so could result in injury.

## 1 Change to the zigzag sewing foot or the overcasting foot.

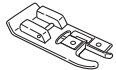
### Note:

Select pattern  when sewing thin fabric.

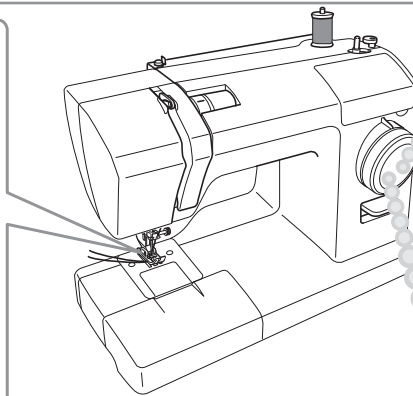
Zigzag sewing foot



Overcasting foot



\* The overcasting foot is only included with model SuperJ15 / 17 / SPJ17XL / SUPERJEANS / PowerFab17.



15 stitch programmes

6

10



17 stitch programmes

6

14

15

16

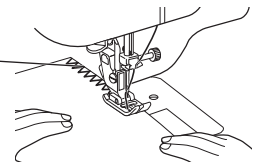


(For details on changing the presser foot, refer to “Changing the presser foot” on page 24.)

- When using the zigzag sewing foot

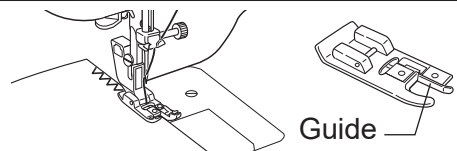
2 Position the fabric so that the needle extends slightly off the edge of the fabric when the needle moves to the right.

Right needle entry point



- When using the overcasting foot

2 Sew with the edge of the fabric against the guide on the foot.



Guide

## ⚠ Caution



**Do not use stitch  with the overcasting foot.**

Doing so may cause the needle to hit the presser foot and break or result in injury.

# Zipper insertion

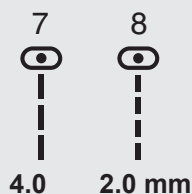
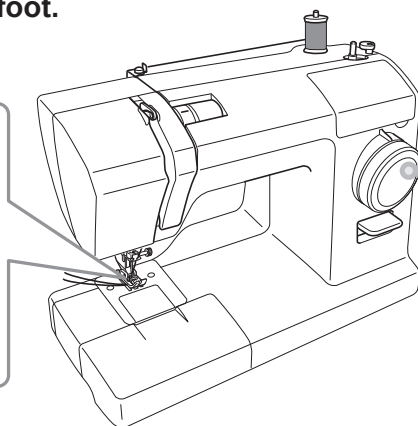
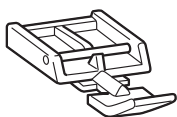
## ⚠ Caution



Before changing the presser foot, use the main power switch to turn off the sewing machine.  
Not doing so could result in injury.

## 1 Change to the zipper foot.

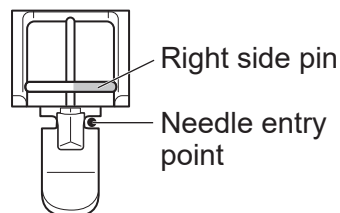
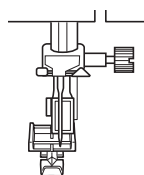
Zipper foot



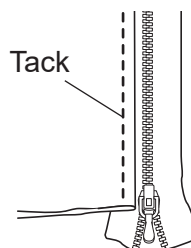
(For details on changing the presser foot, refer to “Changing the presser foot” on page 24.)

## ● Sewing the left side of the zipper

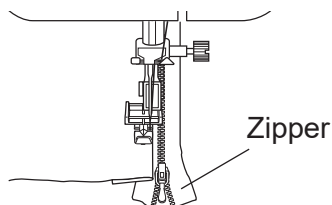
### 2 Set the right side pin of the zipper foot to the presser foot holder.



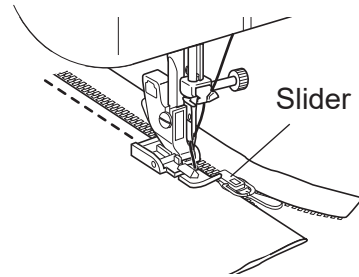
### 3 Align the zipper and the fabric, and tack.



### 4 Position the fabric so that the zipper is on the right side of the presser foot.



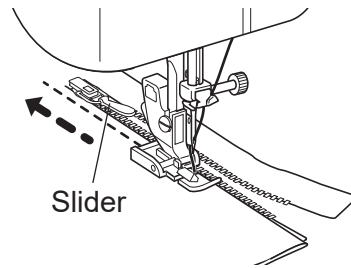
- 5** Sew until just before the presser foot makes contact with the slider, and then stop the sewing machine.



- 6** Turn the handwheel toward you to lower the needle into the fabric.

- 7** Raise the presser foot.

- 8** Move the slider to the rear of the presser foot, and finish the sewing.



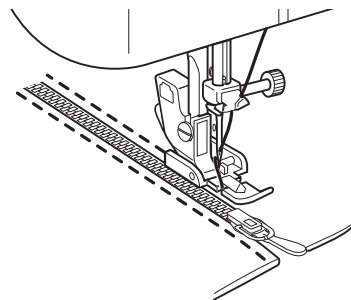
## ● Sewing the right side of the zipper

Release the presser foot and set to the left side pin. Sew the right side of the zipper using the same procedures as for the left side.

---

**Note:**  
Sewing in the same direction as the left side will help prevent sewing misalignment.

---



# Blind hem stitching

In this sewing method the stitch cannot be seen on the front of the fabric.

## ⚠ Caution



**Before changing the presser foot, use the main power switch to turn off the sewing machine.**

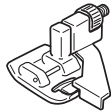
Not doing so could result in injury.

## 1 Change to the zigzag sewing foot or the blind stitch foot.

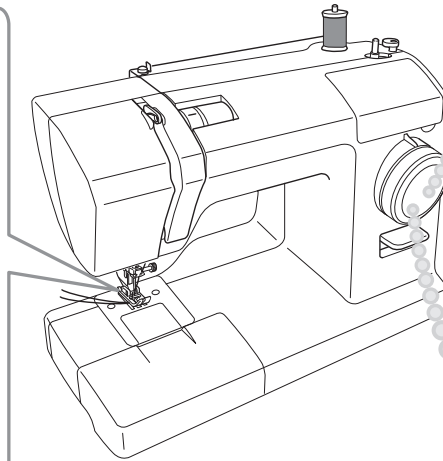
Zigzag sewing foot



Blind stitch foot



\* The blind stitch foot is only included with model SuperJ15 / 17 / SPJ17XL / SUPERJEANS / PowerFab17.



15 stitch programmes

11



17 stitch programmes

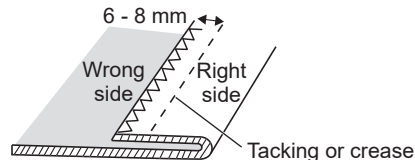
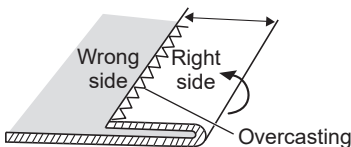
10



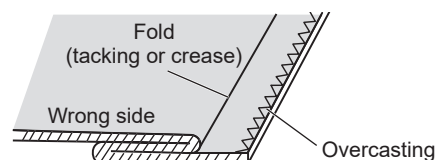
(For details on changing the presser foot, refer to “Changing the presser foot” on page 24.)

## 2 Sew overcasting along the edge of the fabric, and then fold the fabric as shown.

\* Tack or iron a crease 6 to 8 mm from the edge of the fabric.



## 3 At the tacking or the crease that was ironed, fold back the fabric so that wrong side faces upward.



## 4 Turn the handwheel toward you until the needle is on the left side.

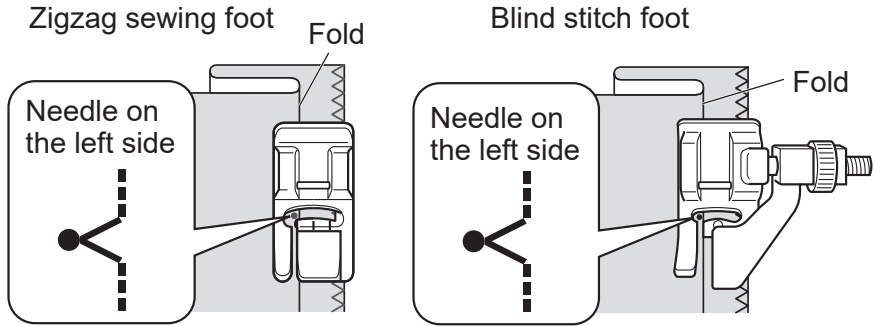
Needle on the left side →





5

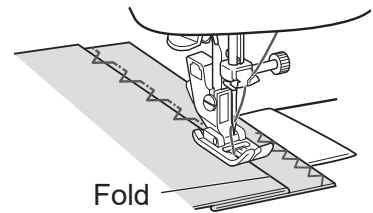
**Position the fabric so that the needle slightly catches the fold.**



- When using the zigzag sewing foot

6

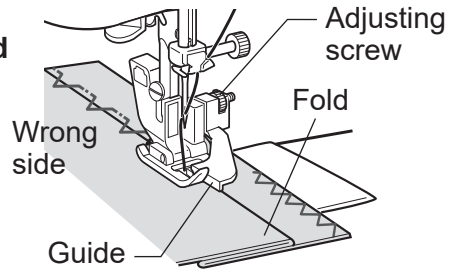
**Lower the presser foot, and start sewing. The part of the stitch that catches the fold will be visible from the right side of the fabric. Sew evenly so that the stitching is not too large or too small.**



- When using the blind stitch foot

6

**Lower the presser foot, adjust the screw so that the fold aligns with the guide, and then sew with the fold against the guide.**

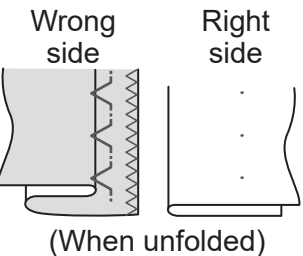


7

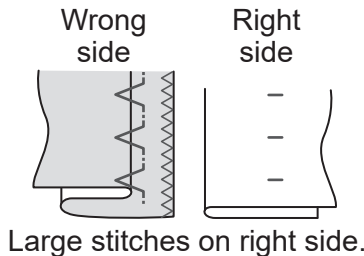
**After sewing, pull out the tacking, and fold out the fabric.**

■ **Balanced stitches** ■ **Troubleshooting**

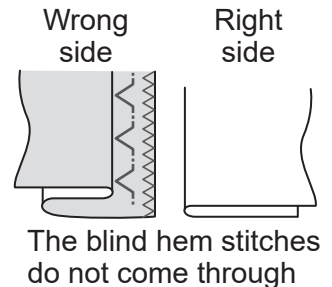
**Small stitches evenly located on right side.**



**Needle catches too much on the fold**



**Needle does not catch on the fold**



# 4

## Maintenance

Cleaning and maintenance must not be made by children without proper supervision.

### Feed dog and rotary hook maintenance

If the sewing machine makes a loud noise or rotates slowly, there could be thread waste or dust in the rotary hook or feed dog. Perform maintenance on the rotary hook and the feed dog.

#### ⚠ Caution



Before cleaning the rotary hook, use the main power switch to turn off the sewing machine, and then remove the power plug from the outlet. Not doing so could result in injury.

#### Attention

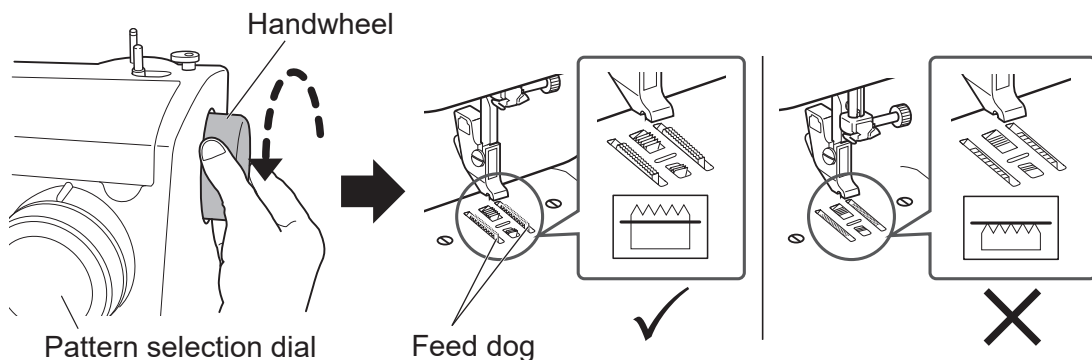
Do not use detergent, bleach, benzine, or thinner chemical cloths. Doing so could cause discoloration or cracking.

#### ● Cleaning the feed dog and rotary hook

1

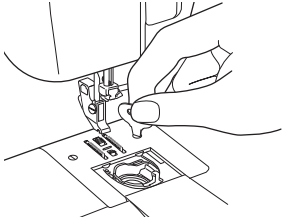
Remove the presser foot and the needle.

Turn the pattern selection dial to “7”, and then turn the handwheel toward you to raise the feed dog.



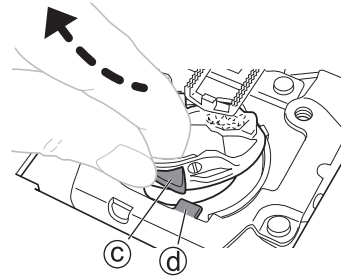
2

Use the screwdriver for the needle plate to loosen the screws in the needle plate, and then remove the needle plate.



3

Lift up the bobbin case so that part ③ is moved past part ④, as shown.



4

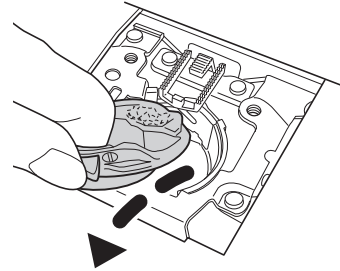
Pull out the bobbin case in the direction of the arrow to remove it.

**Note:**

Do not pull with excessive force, otherwise the bobbin case may be scratched.

\* If the bobbin case cannot be pulled out, repeat the procedure starting with step

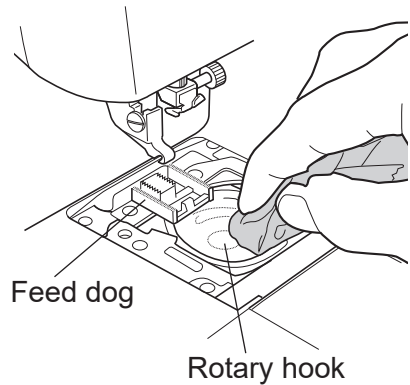
3.



5

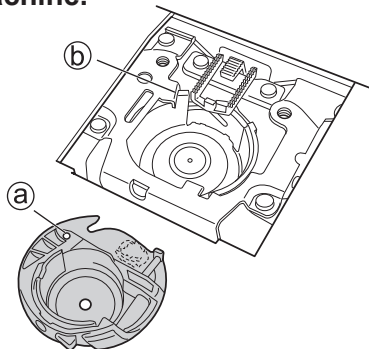
Remove any lint or dust from the feed dog and rotary hook, and then wipe them with a soft cloth.

A vacuum cleaner can be used to remove lint and dust.

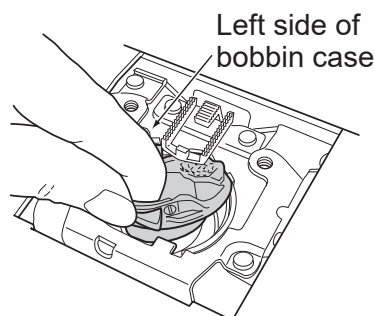


## ● Attaching the Bobbin Case

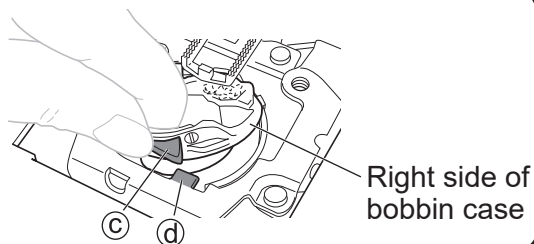
- 1** Position the bobbin case so that part ① on the bobbin case is below part ② on the sewing machine.



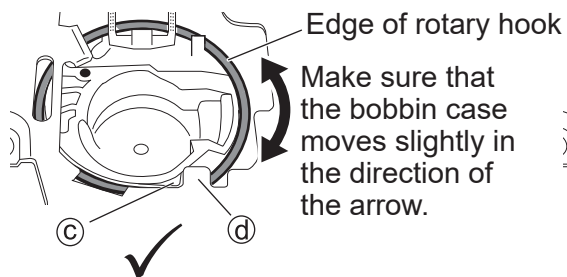
- 2** With the bobbin case tilted to the left, insert the left side of the bobbin case into the rotary hook, as shown.



- 3** Insert the right side of the bobbin case into the rotary hook so that part ③ on the bobbin case is to the left of part ④ on the sewing machine.

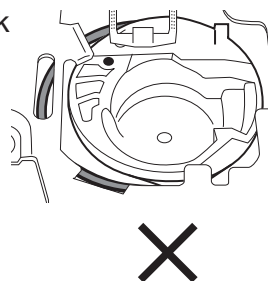


- 4** Make sure that the bobbin case is fully installed in the rotary hook.



<When correctly installed>

- The entire bobbin case fits into the rotary hook so that the edge of the rotary hook is visible.
- Part ③ on the bobbin case is to the left of part ④ on the sewing machine.



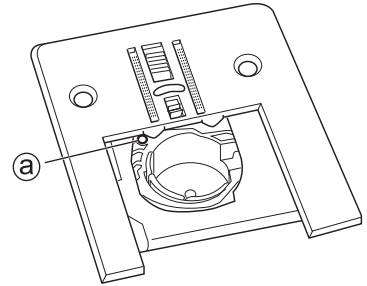
<When incorrectly installed>

- The right side of the bobbin case covers the edge of the rotary hook and the bobbin case is tilted.

### Note:

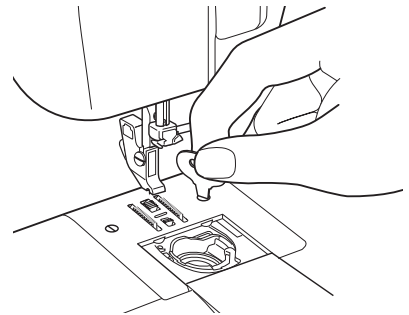
Carefully check the bobbin case since it may be incorrectly installed even though part ③ of the bobbin case is to the left of part ④ on the machine, as shown in the above diagram on the right.

- 5** Attach the needle plate with mark **Ⓐ** on the bobbin case positioned as shown in the diagram.



- 6**
- ① Tighten the needle plate screws.
  - ② Attach the presser foot and insert the needle.
  - ③ Check that the needle correctly enters the hole in the needle plate.

\* If the bobbin case is not installed correctly, the handwheel does not turn smoothly. If this occurs, remove the needle plate and bobbin case, and attach them again.



# Changing light bulb

## ⚠ Warning



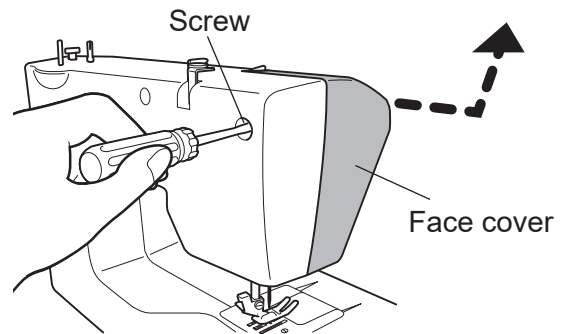
**Only use the lamp designed specifically for this sewing machine.**  
Not doing so could cause a fire.



**Before changing the light bulb, use the main power switch to turn off the sewing machine, remove the power plug from the outlet, and then wait until the bulb cools.**  
Not doing so could cause a burn or electric shock.

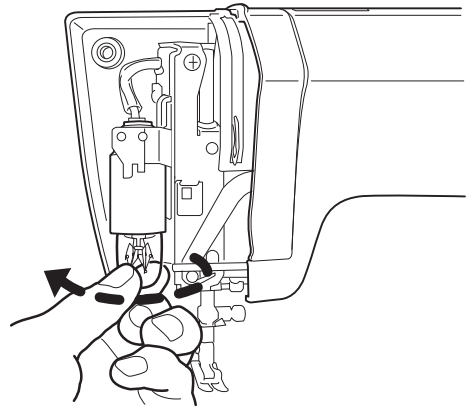
**1**

Loosen the screw with a  $\oplus$  screw driver of your own, and take off the face cover in the direction of the arrow.



**2**

Turn the light bulb counterclockwise as the arrow in the diagram and remove.



**3**

Turn the new light bulb clockwise to install.

**Note:**

Use a light bulb with a maximum power of 15 W.

The lamp can be purchased at <http://www.home-sewing.com>.

Alternatively, contact your retailer.

**4**

Always reinstall the face cover after replacing the light bulb.

# Changing light bulb

For model SuperJ17R

## ⚠ Warning



**Only use the lamp designed specifically for this sewing machine.**  
Not doing so could cause a fire.



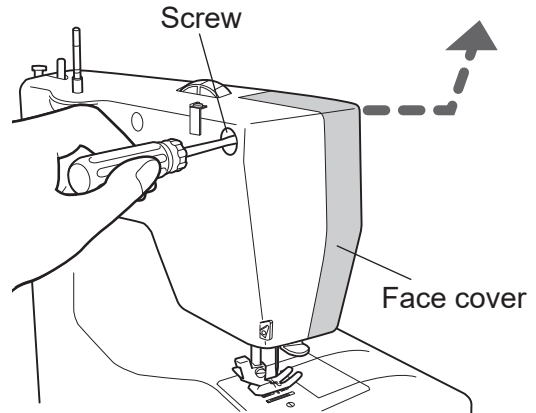
**Do not allow the lamp shade touch on any part of the cover.**  
Not doing so could cause a fire.



**Before changing the light bulb, use the main power switch to turn off the sewing machine, remove the power plug from the outlet, and then wait until the bulb cools.**  
Not doing so could cause a burn or electric shock.

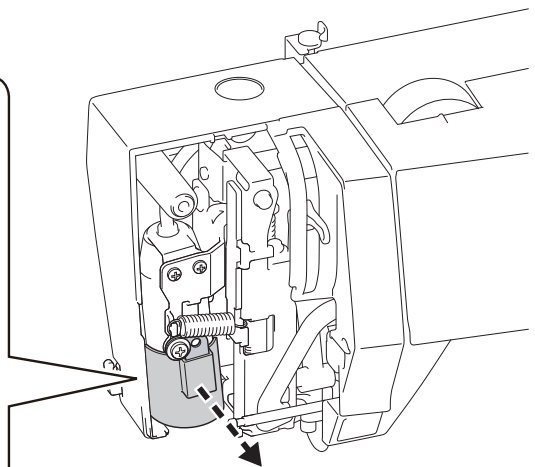
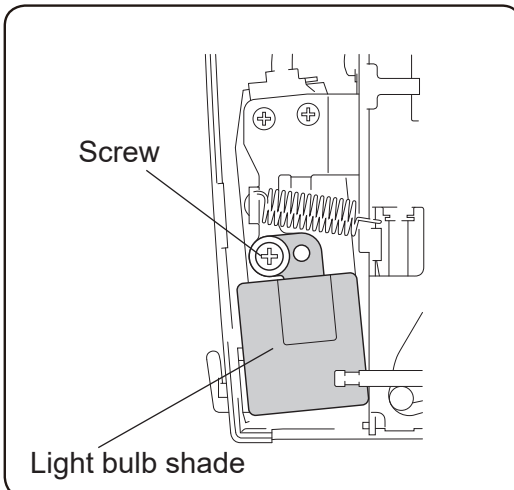
1

Loosen the screw with a ⊕ screw driver of your own, and take off the face cover in the direction of the arrow.



2

Loosen the screw with a ⊕ screw driver of your own, and remove the light bulb shade in the direction of the arrow.



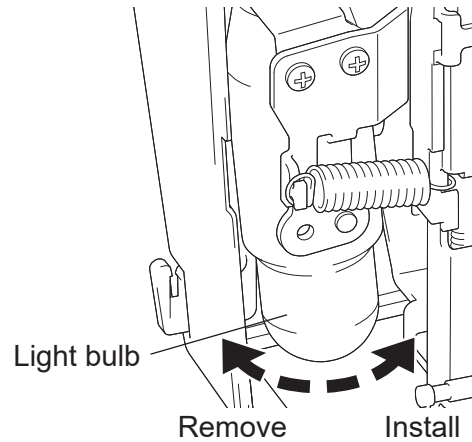
4

Maintenance

**3** Turn the light bulb anticlockwise and remove.

**4** Turn the new light bulb clockwise to install.

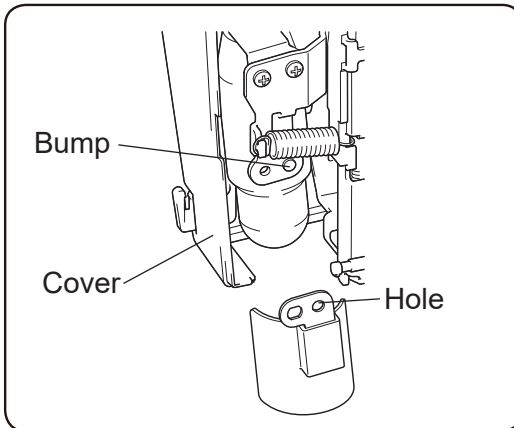
**Note:**  
Use a light bulb with a maximum power of 15 W.  
The lamp can be purchased at <http://www.home-sewing.com>.  
Alternatively, contact your retailer.



**5** Insert the lamp shade as the arrow in the diagram.

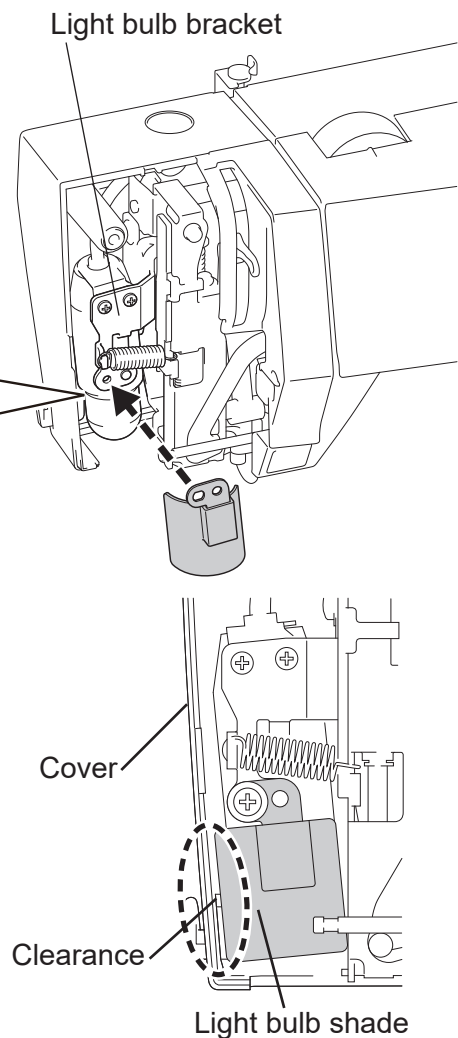
Position the right hole of the light bulb shade to fit on the bump on the light bulb bracket.

Tighten the lamp shade with the screw.



**Note:**  
Check if there is clearance between the lamp shade and the cover.

**6** Put the face cover back after replacing the light bulb and reinstalling the light bulb shade .





---

# Servicing double-insulated products (230V-240V)

---

In a double-insulated product, two systems of insulation are provided instead of grounding. No grounding means are provided on a double-insulated product nor should a means for grounding be added to the product. Servicing a double-insulated product requires extreme care and should only be done by qualified service personnel with knowledge of the system under his or her responsibility. Replacement parts for a double-insulated product must be identical to those parts in the product. The symbol is marked on the double-insulated product.

---

## Notice about the incandescent lamp

---

The incandescent lamp fitted to our product is not suitable for household lighting and is specifically designed for the lighting of the sewing machine sewing area.

---

## Troubleshooting

---

What is the problem? Check the following possibilities before contacting the service center for repair.

| Trouble                        | Cause  | Countermeasure  | Page |
|--------------------------------|--|---|------|
| Machine does not work          | The power plug is not inserted   | Connect the power plug correctly                          | 12   |
|                                | The main power switch has been turned off  | Turn on the sewing machine                                | 12   |
|                                | Thread is tangled in the rotary hook, or there is a broken needle in the rotary hook | Clean the rotary hook                                     | 42   |
|                                | The thread winding spindle has been pushed to the right                              | Push the thread winding spindle to the left               | 14   |
| Machine very noisy & very slow | There is lint or fluff in the rotary hook or feed dog                                | Remove the lint or fluff from the rotary hook or feed dog | 42   |

| Trouble                                | Cause  | Countermeasure  | Page   |
|--|--|---|--------|
| Needle keeps breaking                  | Needle incorrectly inserted into the machine                   | Insert the needle correctly                                     | 26     |
|  | The needle clamp screw is loose                                | Firmly tighten the screw  | 26     |
|  | The needle is too fine for the fabric                          | Use the appropriate size needle for the fabric                  | 27     |
|  | The upper thread tension is too tight                          | Loosen the upper tension  | 33     |
|  | The bobbin case is not in the correct position                 | Put the bobbin case in the correct position                     | 44     |
| Upper thread keeps Breaking            | Machine is incorrectly threaded                                | Rethread the sewing machine                                     | 16-19  |
|  | The thread is tangled in the bobbin case or rotary hook        | Remove the thread tangle and clean the feed dog and rotary hook | 42     |
|  | The upper thread tension is too tight                          | Loosen the upper tension  | 33     |
|  | The needle is bent or the needle point is burred               | Insert a new needle   | 26     |
|  | The needle is incorrectly inserted                             | Insert the needle correctly                                     | 26     |
|  | The thread is a poor quality thread                            | Use a good quality, recommended thread                          | —      |
| Lower thread keeps breaking            | Lower thread is incorrectly threaded                           | Rethread the bobbin case  | 16, 17 |
| Fabric not feeding through the machine | The feed dog is dirty  | Remove any lint and fluff from the feed dog                     | 42     |
|  | Pattern selection dial set to a buttonhole number – “2” or “4” | Reset the stitch selection dial to the desired stitch           | 23     |
| Missed stitches                        | The needle is incorrectly inserted                             | Insert the needle correctly                                     | 26     |
|  | The needle is bent   | Use a straight needle   | 26     |
|  | Needle and thread not suitable for the fabric                  | Use the correct needle and thread for the fabric                | 27     |
|  | Incorrect upper threading                                      | Rethread the upper thread correctly                             | 18, 19 |

| Trouble  | Cause   | Countermeasure                                    | Page   |
|--|---|---|--------|
| The fabric wrinkles / puckers                          | The tension of the upper thread is too tight                      | Adjust the thread tension                         | 33     |
|  | The machine is incorrectly threaded                               | Rethread the machine                              | 16-19  |
|  | Needle is too thick for the fabric                                | Use a finer needle to suit the fabric             | 27     |
|  | The needle is burred  | Insert a new needle                               | 26     |
|  | Stretch fabric is being sewn                                      | Use the ball point needle                         | 27     |
| Lower thread showing on the top of the fabric          | Incorrect bobbin threading  | Rethread the bobbin correctly                     | 16, 17 |
|  | The tension of the upper thread is too tight                      | Adjust the thread tension                         | 33     |
|  | Incorrect plastic bobbin used or a metal bobbin is used           | Only use the designated TOYOTA bobbin             | 14     |
| Upper thread showing on the under side of the fabric   | The tension of the upper thread is too loose                      | Adjust the thread tension                         | 33     |
|  | Incorrect upper threading (not threaded through the thread guide) | Rethread the upper thread correctly               | 18, 19 |
| The needle cannot be threaded with the needle threader | The needle position is too low                                    | Turn the handwheel so that the line is at the top | 9      |
|  | Needle no. 9/65 is being used                                     | Use needle sizes 11/75 to 16/100                  | 27     |
|  | Needle incorrectly inserted                                       | Insert the needle correctly                       | 26     |
|  | The needle is bent  | Use a straight needle                             | 26     |
|  | Threading of the needle bar thread guide incorrect                | Rethread the needle bar thread guide correctly    | 18     |

If the above treatments do not solve the problem, contact the service center as described in your warranty.

When calling for service, please note the MODEL and SERIES that are inscribed on the back of your sewing machine.

SP100 SERIES / SERIE MODEL / MODELE

Manufacturer/: ZHEJIANG AISIN ELITE  
Fabricant MACHINERY & ELECTRIC  
Co., LTD.P.R.C.

Importer/  
Importateur :

Designed and engineered by  
**AISIN SEIKI JAPAN**

MADE IN P. R. C. / FABRIQUE A P.R.C.

## Recycling

EU ONLY



DO NOT THROW AWAY!

We are committed to the protection of the environment. We strive to minimize the environmental impact of our products by continuously improving product design and our manufacturing methods.

At end of life please dispose of this product in an environmentally responsible way.

The crossed-out wheellie bin symbol featured above and on the product's data-plate means that this product falls under the scope of the E.U. "Waste Electrical and Electronic Equipment" (WEEE) directive and "Restriction of the Use of Certain Hazardous Substances in Electrical and Electronic Equipment" (ROHS) directive and should not be disposed of with your household waste. At end of life, you must ensure that this product is disposed of in accordance with national and local legislation and that it is sorted as Category 2 "Small Domestic Appliances" WEEE. You may be liable under local and national laws for improper disposal of this product. Please consult the web, or a competent national or local body, for the return and collections systems available to you and the locations of your nearest recycling points. If you purchase a new product direct from us we will take your old product back, irrespective of the brand, if it is a like for like sale.

As an individual you can make a positive impact on reuse, recycling and other forms of recovery of WEEE. This will reduce use of landfill and minimize the environmental impact of the products you use.

Hazardous substances in electronic and electrical products can have a harmful impact on human health and on the environment.

# Specifications

| Series                            | SP100  |                          |  |                                      | SP1PF             |
|-----------------------------------|--|--------------------------|--|--------------------------------------|-------------------|
| <b>Model</b>                      | <b>XXX15CXX / XXX15</b>                          | <b>XXX17CXX / XXXX17</b> | <b>XXX15DXX / SuperJ15 / SUPERJEANS / TSEW1</b>  | <b>XXX17DXX / SPJ17XL / SuperJ17</b> | <b>PowerFab17</b> |
| Rotary Hook type                  | Horizontal                                       |                          |  |                                      |                   |
| Needle                            | Home-use sewing machine needle (HA-1)            |                          |  |                                      |                   |
| Bobbin                            | TOYOTA-exclusive plastic bobbin                  |                          |  |                                      |                   |
| Maximum stitch length             | 4 mm   |                          |  |                                      |                   |
| Maximum stitch width              | 5 mm   |                          |  |                                      |                   |
| Straight stitch needle position   | Center needle position, left needle position     |                          |  |                                      |                   |
| Sewing machine weight (main unit) | 4.9 kg   | 5.1 kg                   | 5.0 kg   | 5.2 kg                               | 5.7kg             |
| Sewing machine size               | Width: 410 mm<br>Depth: 200 mm<br>Height: 331 mm |                          | Width: 410 mm<br>Depth: 198 mm<br>Height: 331 mm |                                      |                   |
| Rated voltage                     | 220 - 240V ~                                     |                          |  |                                      |                   |
| Rated frequency                   | 50 Hz  |                          |  |                                      |                   |
| Rated power consumption           | 65 W   |                          |  |                                      | 85 W              |
| Light bulb                        | 15 W   |                          |  |                                      | 15 W              |

**EU ONLY**

**Imported by / Importé par :**

**AISIN EUROPE S.A. Web: [www.home-sewing.com](http://www.home-sewing.com)**

- Head Office** Avenue de l'Industrie 21, Parc Industriel, 1420 Braine-L'Alleud BELGIUM  
TEL: +32 (0) 2 387 1817 FAX: +32 (0) 2 387 1995
- UK Branch** Unit 4, Swan Business Park, Sandpit Road, Dartford, Kent, DA1 5ED UK.  
TEL: +44 (0) 1322 291137 FAX: +44 (0) 1322 279214
- France Branch** 70 chemin de la chapelle Saint Antoine 95300 Ennery, France  
TEL: +33 (0) 1 34 30 25 00 FAX: +33 (0) 1 34 30 25 01
- Holland Branch** Energieweg 14, 2382 NJ Zoeterwoude (Rijndijk), THE NETHERLANDS  
TEL: +31 (0) 71 5410251 FAX: +31 (0) 71 5413707
- Austria Branch** Donaufelder Straße 101/5/1, A-1210 Wien, AUSTRIA  
TEL: +43 (0) 1 812 06 33 FAX: +43 (0) 1 812 06 33-11